



DEPARTMENT OF PLANNING & BUILDING
 BUILDING DIVISION
 276 Fourth Avenue Chula Vista CA 91910
 619-691-5272 619-585-5681 FAX

STRAPPING REQUIREMENTS FOR WATER HEATERS

FORM 4609

The State of California requires that all water heaters in our area be anchored or strapped to resist movement during an earthquake. This can be accomplished by installing any of the over-the-counter products especially made for restraining water heaters (example 1) or you can make your own out of a heavy-duty metal strap material (Example 2).

It is required that at least two restraints are used, with one in the upper one-third and one in the lower one-third of the water heater. Fasten the anchor or strap to the structure, use a screw not less than 1/4" diameter with a minimum penetration of 1 1/2" into a wood stud of the wall, with a washer between the head of the screw and the restraint.

Below are examples of acceptable methods for restraining a water heater.

Note: A permit is required any time a water heater is replaced.

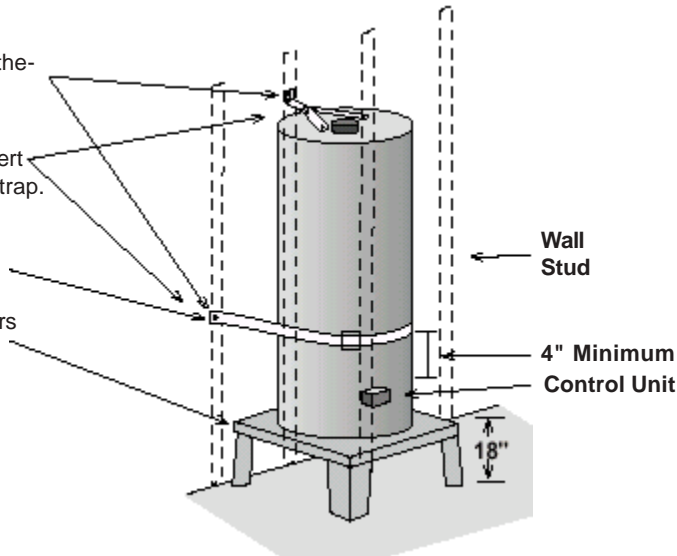
Example 1

These types of restraints are over-the-counter products sold at your local hardware store.

Drill pilots on center line of stud, insert screws through punched holes in strap. Use washers.

The lower strap must be a minimum of 4" above the control unit.

This 18" stand is required for heaters installed in a garage location.



Example 2

Minimum 22 Gauge metal strap material installed within the top 1/3 of the heater and the bottom 1/3 of the heater.

Drill pilots on center line of stud, insert screws through punched holes in strap.

Use minimum 1/4" screws with minimum 1 1/2" penetration. Use washers.

The lower strap must be a minimum of 4" above the control unit.

This 18" stand is required for heaters installed in a garage location.

