

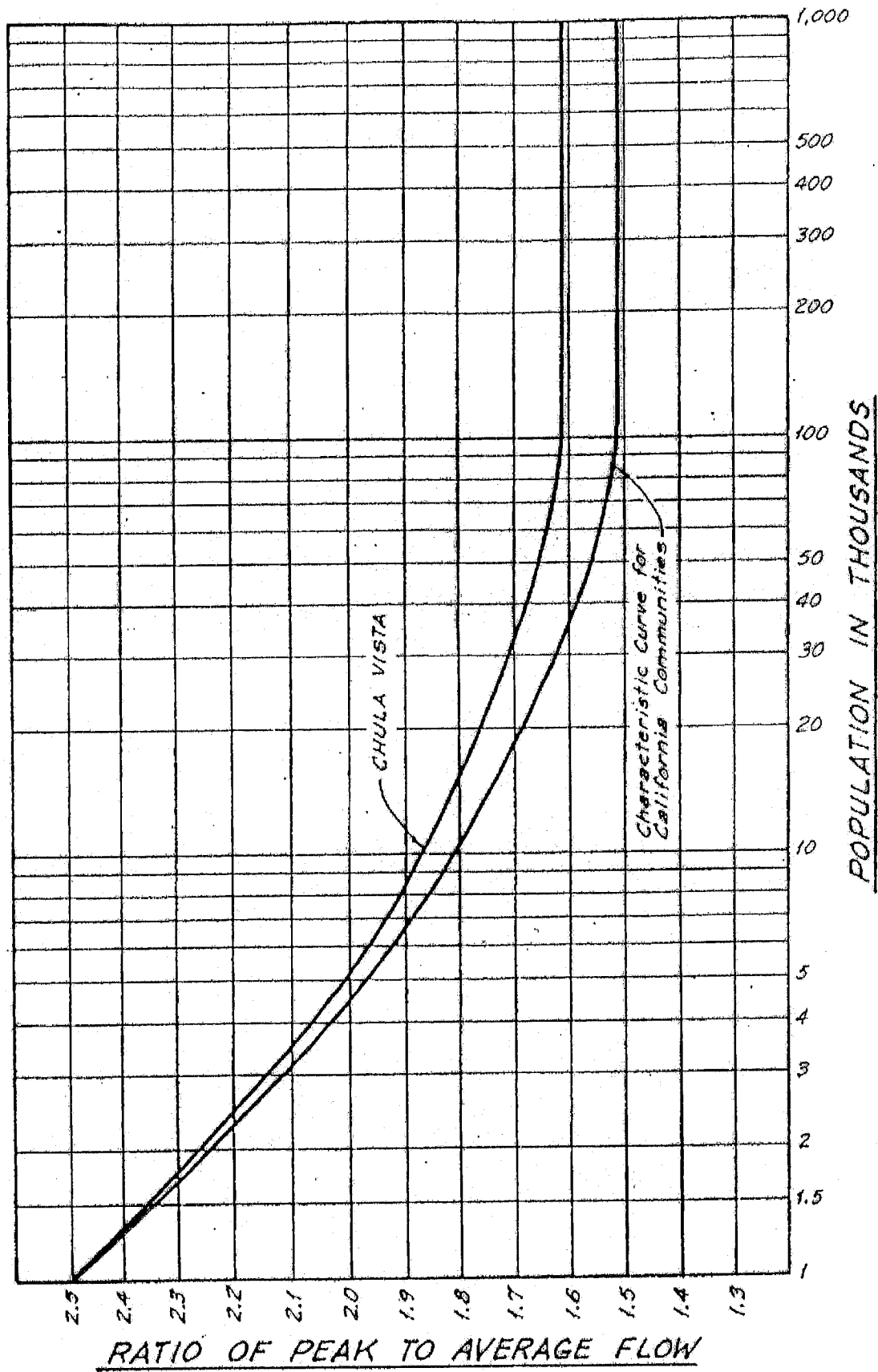
SEWER

(SWR)



**DESIGN AND
CONSTRUCTION
STANDARD DRAWINGS
2017**

**RATIO OF PEAK TO AVERAGE SEWAGE FLOW
VS. MAGNITUDE OF TRIBUTARY POPULATION**



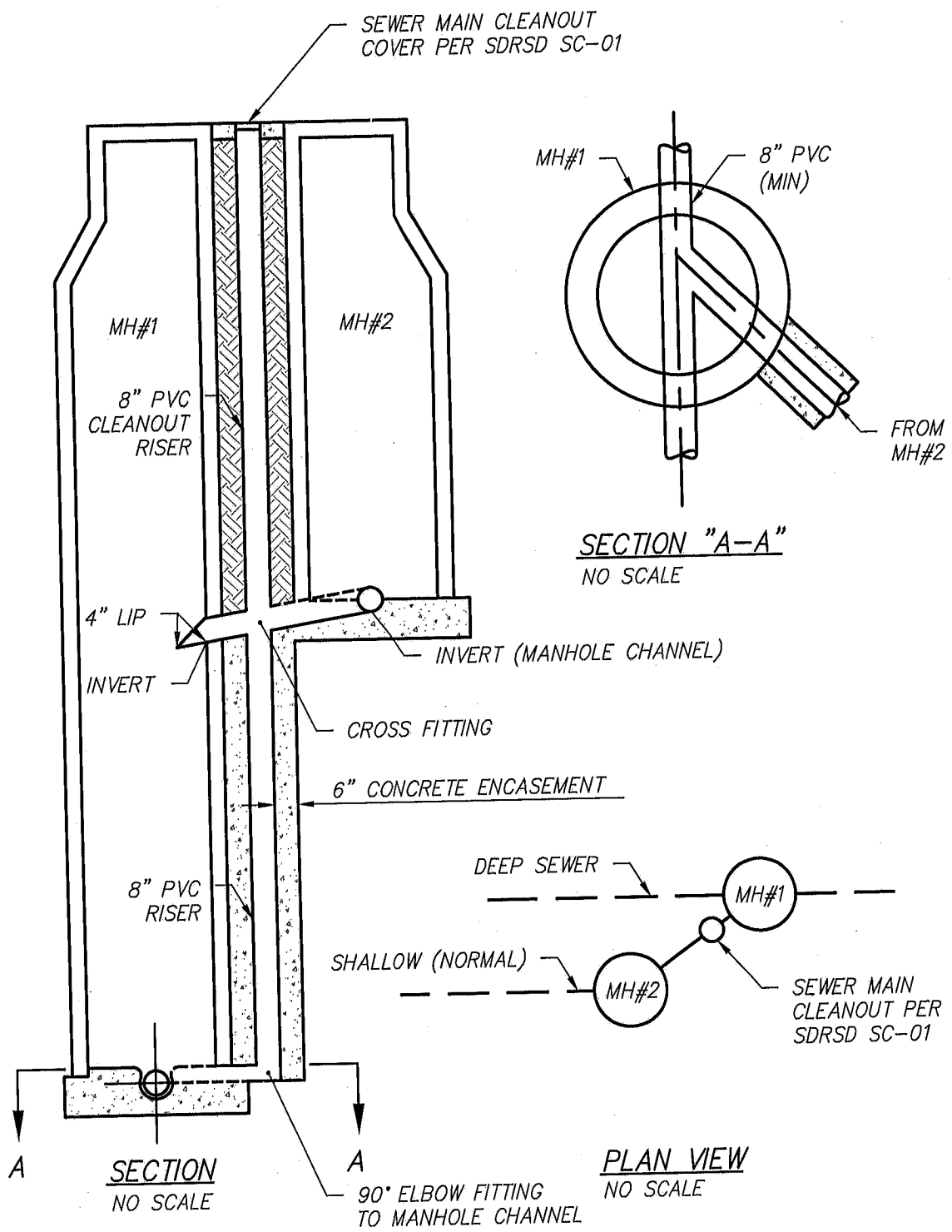
REVISION	BY	APPROVED	DATE
ORIGINAL	JWH		10/72
		C. SWANSON	11/02
REVISION	DPH	W. VALLE	11/17

CITY OF CHULA VISTA
ENGINEERING & CAPITAL PROJECTS
STANDARD DRAWING

PEAK TO AVERAGE SEWER FLOW

William S. Valle
WILLIAM S. VALLE 11/21/2017
CITY ENGINEER

SWR-01



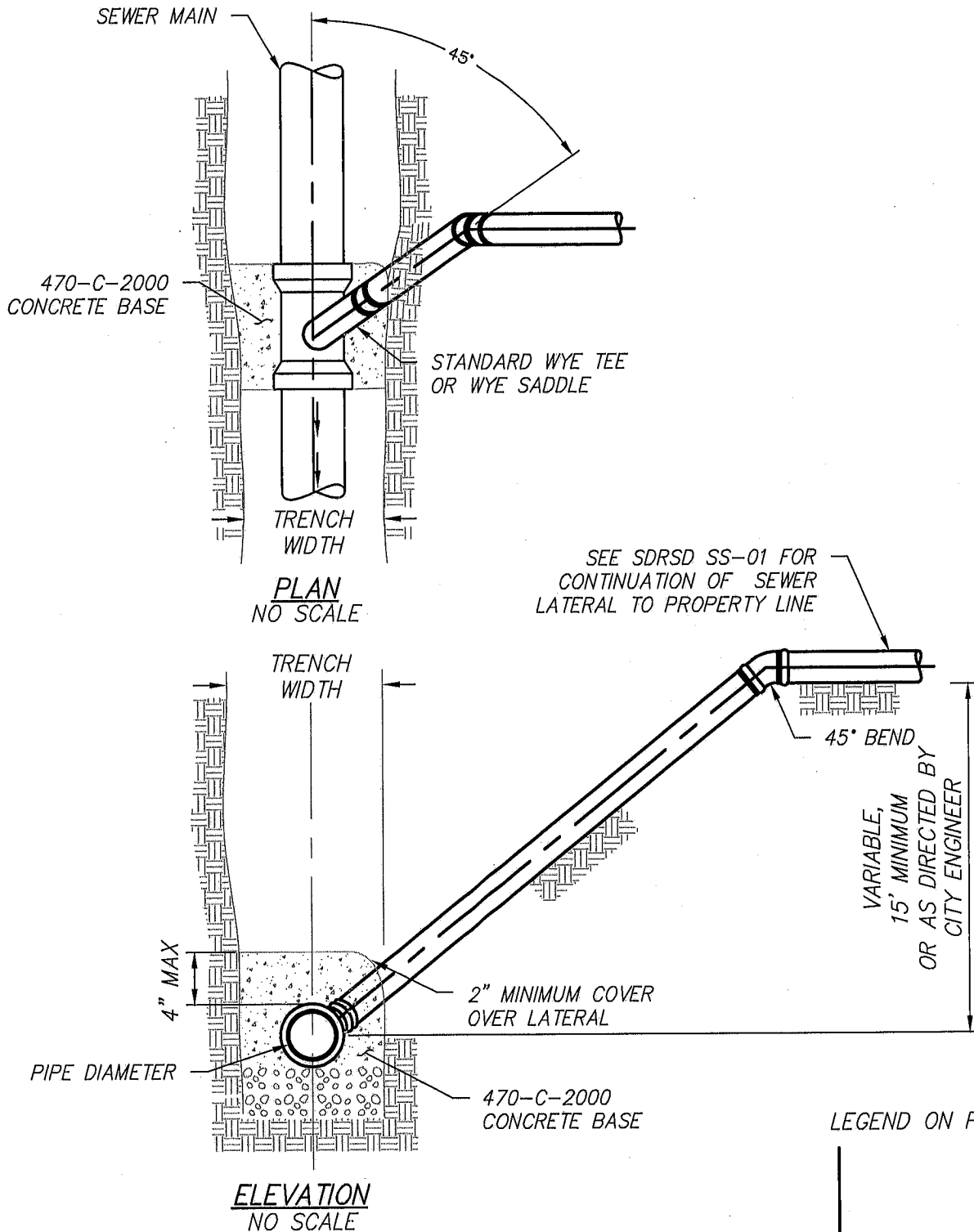
NOTE: OTHER OPTIONS AVAILABLE ON A CASE-BY-CASE BASIS.

REVISION	BY	APPROVED	DATE
ORIGINAL			2/90
REVISION	CVM	C. SWANSON	11/02
REVISION	DPH	W. VALLE	11/17

CITY OF CHULA VISTA
ENGINEERING & CAPITAL PROJECTS
STANDARD DRAWING

DEEP SEWER CONNECTION

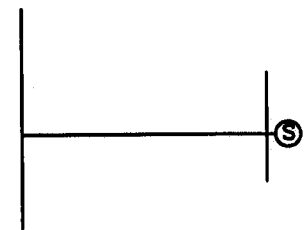
William S. Valle
WILLIAM S. VALLE 11/21/2017
CITY ENGINEER
SWR-02



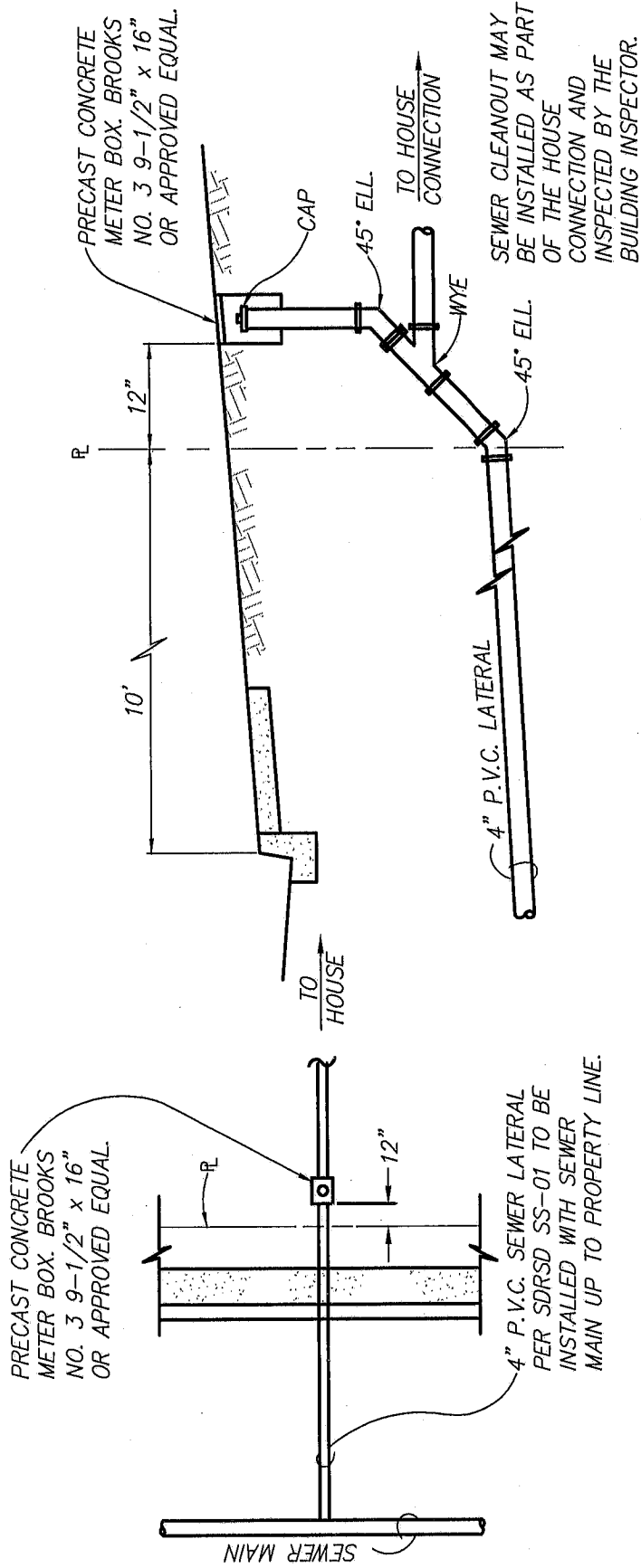
NOTES:

1. ALL JOINTS ON SEWER LATERAL PIPE SHALL BE COMPRESSION TYPE OR APPROVED SOLVENT WELD CONNECTION.
2. DEEP CUT HOUSE CONNECTION FOR SEWER LATERAL MAY BE USED ONLY UPON APPROVAL BY THE CITY ENGINEER.

LEGEND ON PLANS



REVISION	BY	APPROVED	DATE	CITY OF CHULA VISTA ENGINEERING & CAPITAL PROJECTS STANDARD DRAWING	 WILLIAM S. VALLE 11/21/2017 CITY ENGINEER
ORIGINAL		C. SWANSON	3/94		
REVISION	DPH	W. VALLE	11/17	DEEP CUT HOUSE CONNECTION SEWER LATERAL	SWR-03



PROFILE
NO SCALE

PLAN VIEW
NO SCALE

DETAIL ~ SEWER LATERAL IN LANDSCAPED AREAS

- NOTES:
1. FOR DETAILS NOT SHOWN SEE SDRSD NO. SS-01 AND SS-02
 2. BACKFLOW PREVENTION DEVICES AND BUILDING CLEANOUT SHALL BE LOCATED WITHIN THE BUILDING DRAIN PER UPC REQUIREMENTS.
 3. STAMP "S" ON FACE OF CURB.
 4. ALL LATERALS ARE PRIVATE PER COUNCIL POLICY 570-01

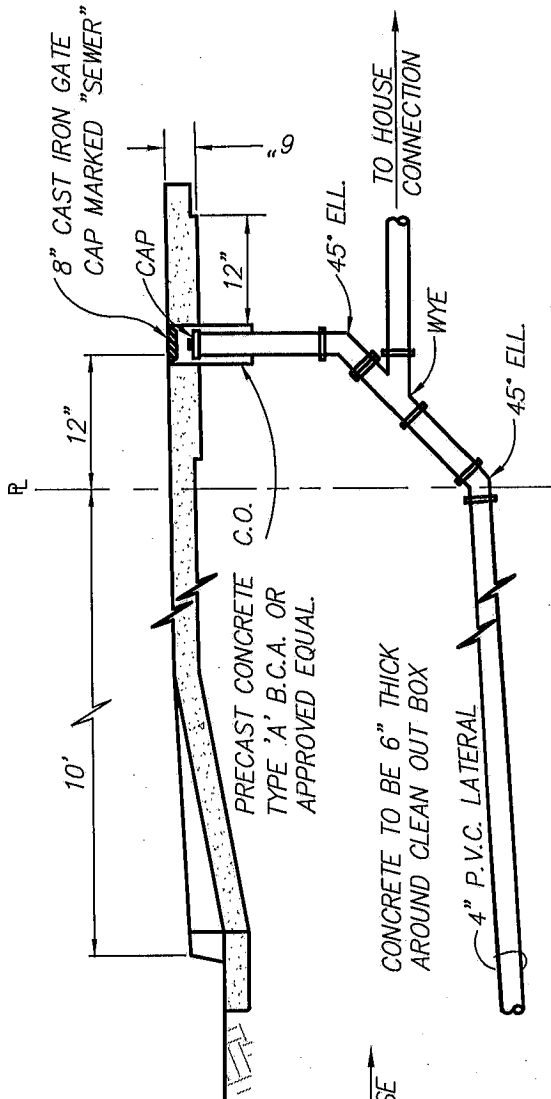
REVISION	BY	APPROVED	DATE
ORIGINAL			10/96
REVISION	CVM	C. SWANSON	11/02
REVISION	DPH	W. VALLE	11/17

CITY OF CHULA VISTA
ENGINEERING & CAPITAL PROJECTS
STANDARD DRAWING

SEWER LATERAL IN LANDSCAPED
AREAS

William S. Valle
WILLIAM S. VALLE 11/21/2017
CITY ENGINEER

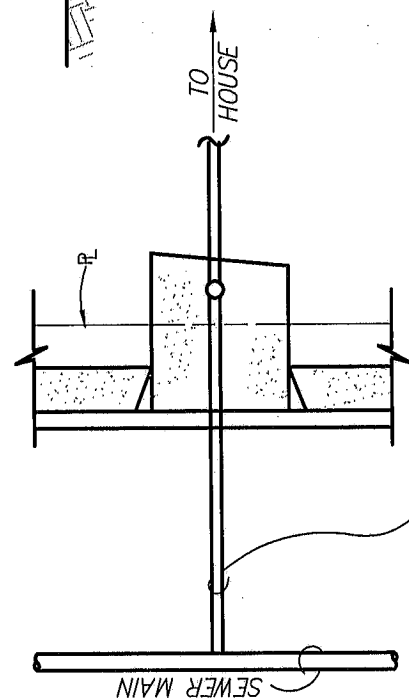
SWR-04



SEWER CLEANOUT MAY BE INSTALLED AS PART OF THE HOUSE CONNECTION AND INSPECTED BY THE BUILDING INSPECTOR.

PROFILE
NO SCALE

FOR DETAILS NOT SHOWN SEE SDRSD SS-01 AND SS-02



4" P.V.C. SEWER LATERAL PER SDRSD SS-01 TO BE INSTALLED WITH SEWER MAIN UP TO PROPERTY LINE.

PLAN VIEW
NO SCALE

DETAIL ~ SEWER LATERAL IN P.C.C. DRIVEWAY

NOTE: BACKFLOW PREVENTION DEVICES AND BUILDING CLEANOUT SHALL BE LOCATED WITHIN THE BUILDING DRAIN PER UPC REQUIREMENTS. STAMP "S" ON FACE OF CURB.

REVISION	BY	APPROVED	DATE
ORIGINAL			10/96
REVISION	CM	C. SWANSON	11/02
REVISION	DPH	W. VALLE	11/17

CITY OF CHULA VISTA
ENGINEERING & CAPITAL PROJECTS
STANDARD DRAWING

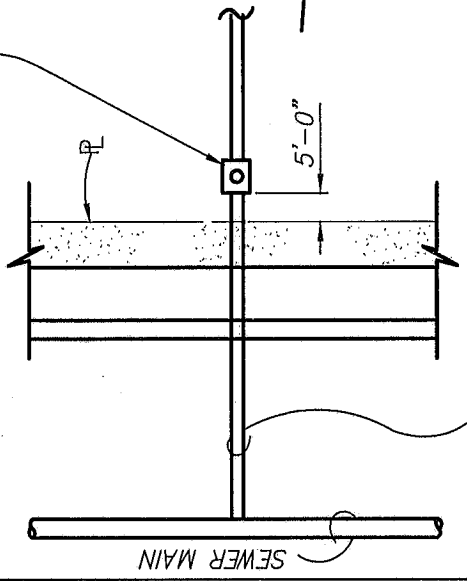
SEWER LATERAL IN PCC DRIVEWAY

William S. Valle
WILLIAM S. VALLE 11/21/2017
CITY ENGINEER

SWR-05

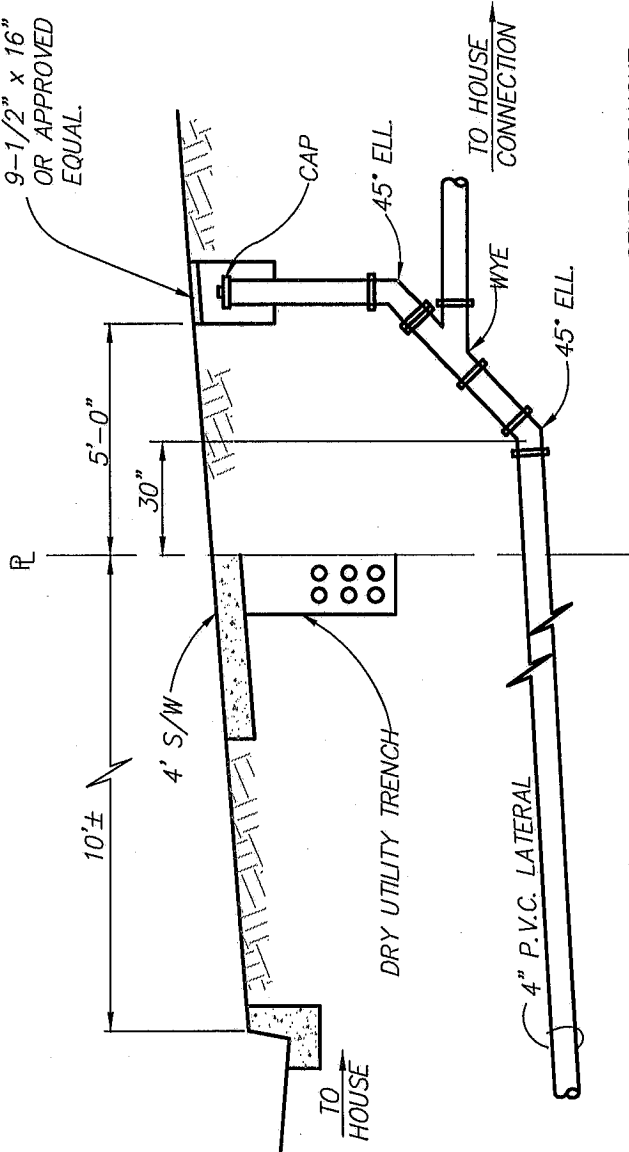
PRECAST CONCRETE METER BOX. BROOKS NO. 3 9-1/2" x 16" OR APPROVED EQUAL.

PRECAST CONCRETE METER BOX. BROOKS NO. 3 9-1/2" x 16" OR APPROVED EQUAL.



4" P.V.C. SEWER LATERAL PER SDRSD SS-01 TO BE INSTALLED WITH SEWER MAIN UP TO PROPERTY LINE.

PLAN VIEW
NO SCALE



FOR DETAILS NOT SHOWN SEE SDRSD SS-01 AND SS-02

PROFILE
NO SCALE

SEWER CLEANOUT MAY BE INSTALLED AS PART OF THE HOUSE CONNECTION AND INSPECTED BY THE BUILDING INSPECTOR.

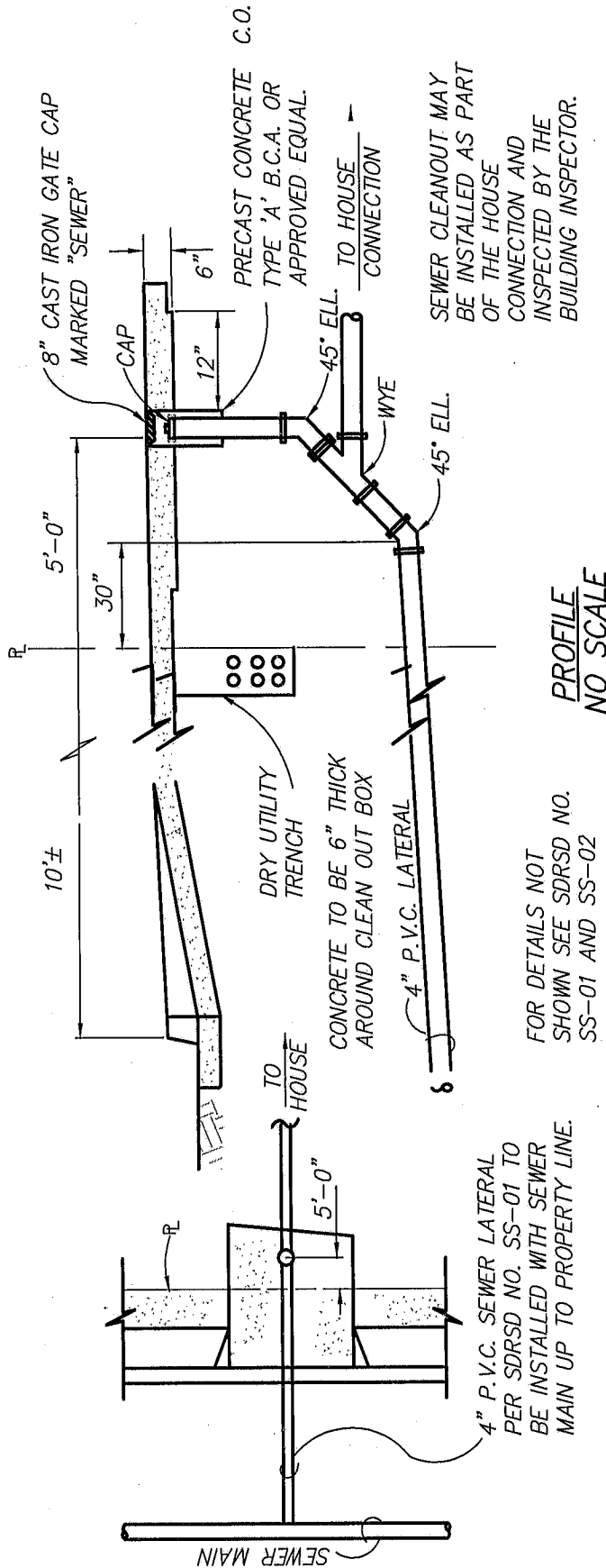
DETAIL ~ SEWER LATERAL IN LANDSCAPED AREAS
(SIDEWALK AND DRY UTILITY TRENCH AT PROPERTY LINE)

NOTE: BACKFLOW PREVENTION DEVICES AND BUILDING CLEANOUT SHALL BE LOCATED WITHIN THE BUILDING DRAIN PER UPC REQUIREMENTS OR PER CITY PLANNING AND BUILDING REQUIREMENTS STAMP "S" ON FACE OF CURB.

REVISION	BY	APPROVED	DATE
ORIGINAL			7/90
REVISION	CM	C. SWANSON	11/02
REVISION	DPH	W. VALLE	11/17

CITY OF CHULA VISTA
ENGINEERING & CAPITAL PROJECTS
STANDARD DRAWING
SEWER LATERAL IN LANDSCAPE SW
& DRY UTILITIES IN R.O.W.

William S. Valle
WILLIAM S. VALLE 11/21/2017
CITY ENGINEER
SWR-06



SEWER CLEANOUT MAY BE INSTALLED AS PART OF THE HOUSE CONNECTION AND INSPECTED BY THE BUILDING INSPECTOR.

PROFILE
NO SCALE

FOR DETAILS NOT SHOWN SEE SDRSD NO. SS-01 AND SS-02

PLAN VIEW
NO SCALE

4" P.V.C. SEWER LATERAL PER SDRSD NO. SS-01 TO BE INSTALLED WITH SEWER MAIN UP TO PROPERTY LINE.

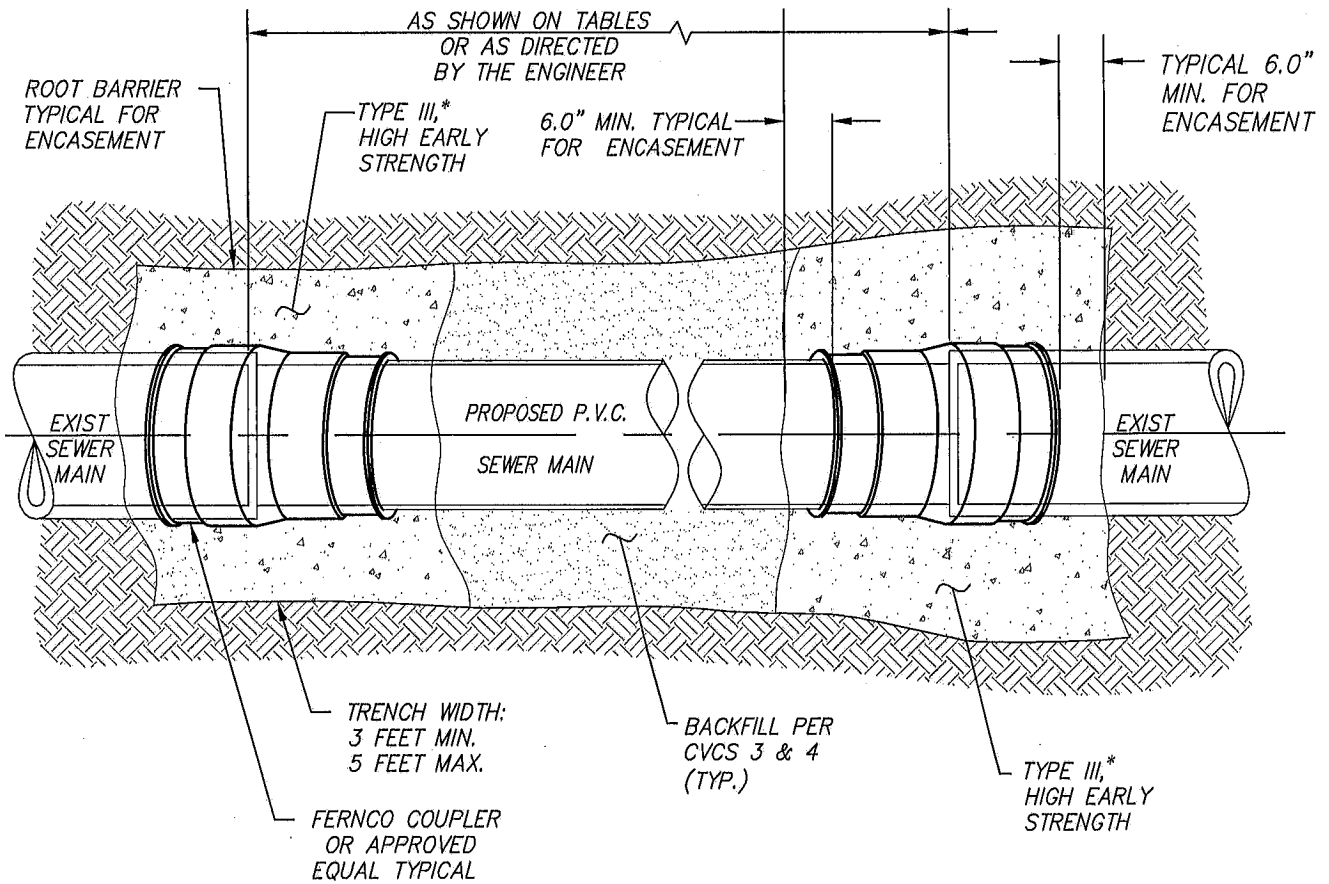
DETAIL ~ PRIVATE SEWER LATERAL IN P.C.C. DRIVEWAY (SIDEWALK AND DRY UTILITY TRENCH AT PROPERTY LINE)

NOTE: BACKFLOW PREVENTION DEVICES AND BUILDING CLEANOUT SHALL BE LOCATED WITHIN THE BUILDING DRAIN PER UPC REQUIREMENTS OR PER CITY PLANNING AND BUILDING REQUIREMENTS STAMP "S" ON FACE OF CURB.

REVISION	BY	APPROVED	DATE
ORIGINAL			7/99
REVISION	CVM	C. SWANSON	11/02
REVISION	DPH	W. VALLE	11/17

CITY OF CHULA VISTA
ENGINEERING & CAPITAL PROJECTS
STANDARD DRAWING
SEWER LATERAL IN PCC DWY - SW
& DRY UTILITIES IN R.O.W.

William S. Valle
WILLIAM S. VALLE 11/21/2017
CITY ENGINEER
SWR-07



* ENCASEMENT:
 REACH MIN. STRENGTH OF
 2000 PSI WITHIN 24 HOURS.

REVISION	BY	APPROVED	DATE
ORIGINAL	DPH	W. VALLE	11/17

CITY OF CHULA VISTA
 ENGINEERING & CAPITAL PROJECTS
 STANDARD DRAWING

SEWER MAIN REPAIR DETAILS

William S. Valle
 WILLIAM S. VALLE 11/21/2017
 CITY ENGINEER
 SWR-08