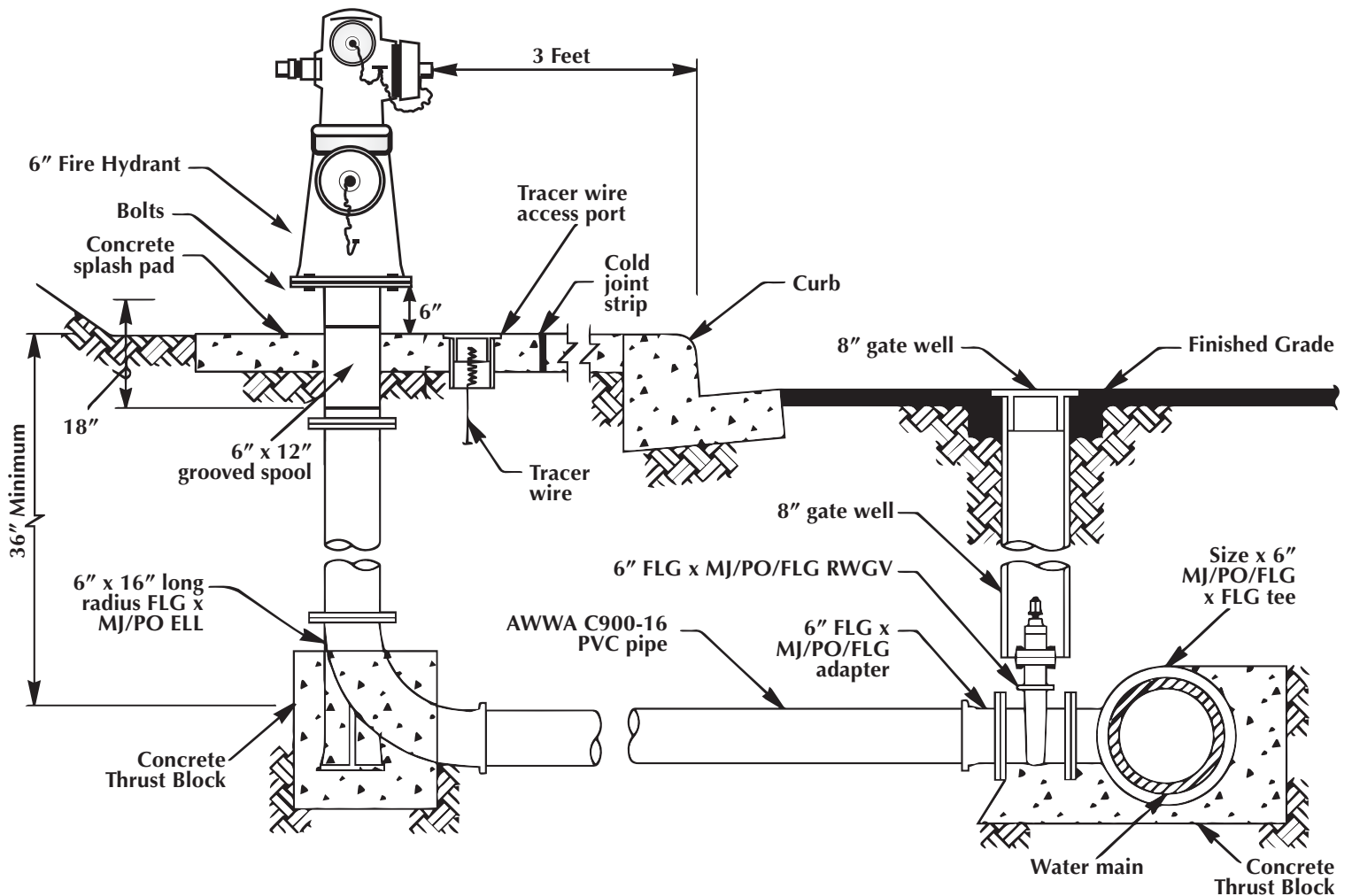




Fire Hydrant Installation



Notes:

Fire Hydrant sizes:

- Residential and Commercial: One (1) – four inch (4") x Two (2) - two and one half inch (2 1/2")
- Industrial: Two (2) – four inch (4") x One (1) - two and one half inch (2 1/2")

Fire Hydrants shall be installed with the four-inch outlet facing the fire access road.

Fire Hydrant number and spacing shall be derived from CFC Table C102.1, Required Number and Spacing for Fire Hydrants.

Fire Hydrants require breakaway spools, which shall be set within the concrete pad. Upper break-off groove shall be placed 1" to 3" above splash pad.

Fire Hydrant flange bolts shall be A307 zinc-plated bolts installed with nuts on top of the flange.

Fire Hydrant flange shall be 6 inches above the top of splash pad.

Fire Hydrant gate valves shall be provided on the lateral in a road box at ten (10) feet from the Fire Hydrant.

Blue reflective markers shall be installed to identify location of Fire Hydrants. These markers shall be visible from both directions of vehicle travel. On undivided roads, markers will be placed one foot from centerline in the direction of the fire appliance.

