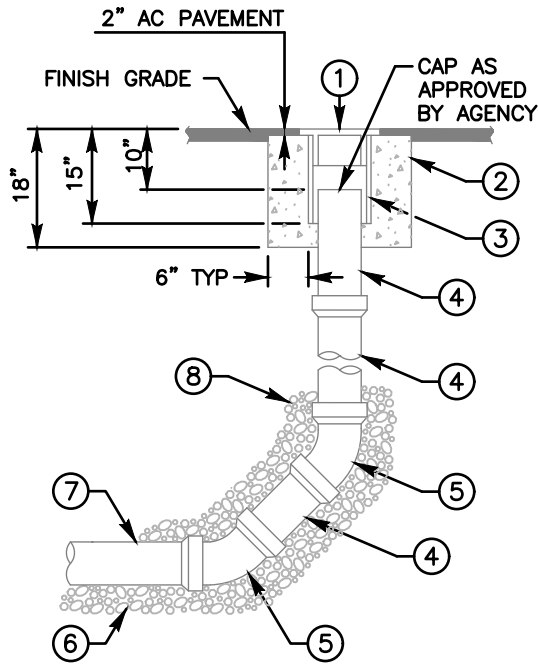
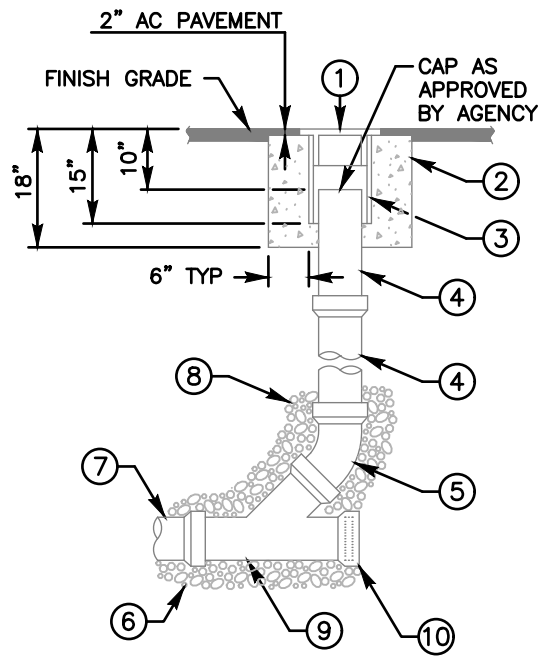


**APPENDIX K**

**San Diego Regional Standard Drawings Section  
S – Sewerage Systems**



**TYPE A**  
MAINS FOR 6" AND 8"



**TYPE B**  
SEWER LATERAL  
CLEANOUT

**NOTES:**

- 1) REFER TO AGENCY SPECIFICATIONS WHERE APPLICABLE
- 2) CLEANOUTS TO BE INSTALLED AT THE END OF MAINS WHERE INDICATED ON THE PLANS
- 3) CLEANOUT PIPE TO BE SAME SIZE AND MATERIAL AS SEWER MAIN UP TO 8"
- 4) BACKFILL TO TOP OF 45° BEND WITH 3/4" CRUSHED ROCK
- 5) MATERIALS SHALL BE SELECTED FROM THE AGENCY'S APPROVED MATERIALS LIST

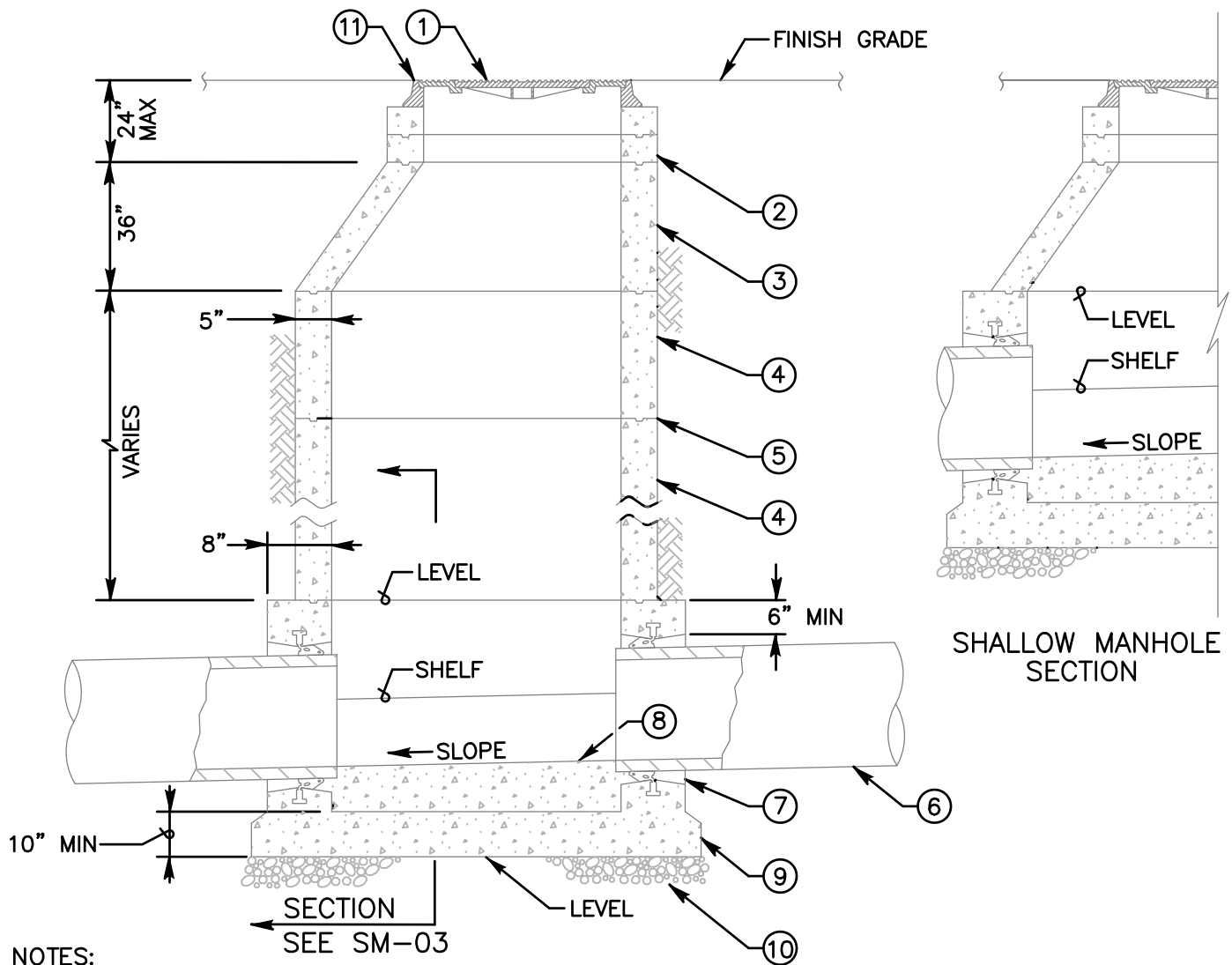


LEGEND ON PLANS

ITEM NO	SIZE AND DESCRIPTION	ITEM NO	SIZE AND DESCRIPTION
①	12" CI CLEANOUT BOX COVER MARKED 'SEWER' AND AGENCY NAME AS REQUIRED	⑤	45° ELBOW
②	CONCRETE RING	⑥	3/4" CRUSHED ROCK PIPE BEDDING
③	12" PVC, C-900 x 15" LONG (CLEANOUT BOX)	⑦	SEWER MAIN
④	SIZE x REQUIRED LENGTH PVC PIPE	⑧	3/4" CRUSHED ROCK SEE NOTE 4
		⑨	STANDARD WYE BRANCH
		⑩	INSTALL PLUG AND CONCRETE LUG

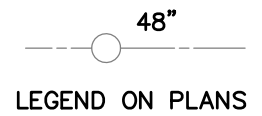
  

Revision	By	Approved	Date	SAN DIEGO REGIONAL STANDARD DRAWING	RECOMMENDED BY THE SAN DIEGO REGIONAL STANDARDS COMMITTEE
ORIGINAL		Kercheval	12/75		
Replaced S-03		J. Tomasulo	03/05	SEWER CLEANOUT	 Chairperson R.C.E. 19246 Date
Delete Metric	MR	B. KNOLL	03/11		
Reviewed	BK	B. KNOLL	04/15		
Reviewed	BK	B. KNOLL	10/18		
					DRAWING NUMBER SC-01




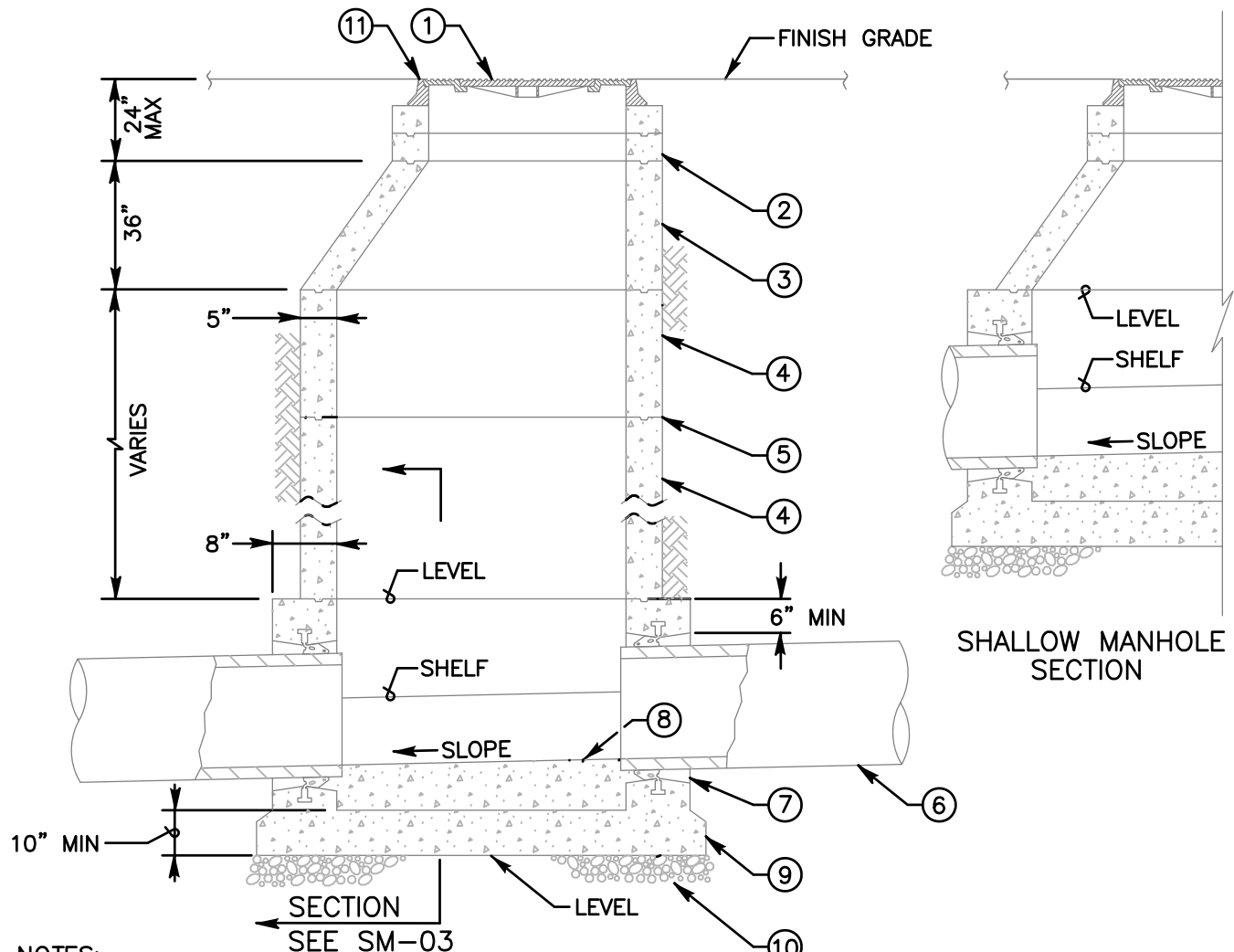
NOTES:

- 1) REFER TO AGENCY SPECIFICATIONS WHERE APPLICABLE
- 2) VERTICAL WALL OF CONE TO BE ON THE UPSTREAM SIDE OF MANHOLE SEE SM-05 FOR ACCESS LOCATIONS
- 3) FOR MANHOLE BASES SEE SM-03
- 4) MANHOLES FOR MAINS 18" AND LARGER SHALL BE COATED AND LINED PER SM-07
- 5) MATERIALS SHALL BE SELECTED FROM THE AGENCY'S APPROVED MATERIALS LIST



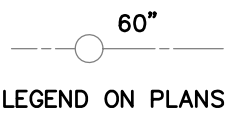
ITEM NO	SIZE AND DESCRIPTION	ITEM NO	SIZE AND DESCRIPTION
①	36" MANHOLE FRAME AND TWO CONCENTRIC COVERS SEE S.D.R.S.D. M-3	⑦	MANHOLE PIPE CONNECTOR SEE SM-04
②	36" DIA GRADE RING(S) 6" TO 18" HIGH	⑧	FIELD INSTALLED INVERT SEE SM-04
③	ECCENTRIC CONE SEE NOTE 2	⑨	CONCRETE BASE, PRECAST OR CAST IN PLACE
④	48" DIA RING(S) VARIABLE HEIGHT	⑩	6" OF 3/4" CRUSHED ROCK
⑤	WATER TIGHT JOINTS SEE SM-05	⑪	MANHOLE DETAIL SEE SM-05
⑥	SEWER MAIN		

Revision	By	Approved	Date	SAN DIEGO REGIONAL STANDARD DRAWING	RECOMMENDED BY THE SAN DIEGO REGIONAL STANDARDS COMMITTEE
ORIGINAL		Kercheval	12/75		
Replaced S-02		J. Tomasulo	03/05	48" DIAMETER PRECAST MANHOLE INSTALLATION	 Chairperson R.C.E. 19246 Date 10/25/2018
Delete Metric	MR	B. KNOLL	03/11		
Reviewed	BK	B. KNOLL	04/15		
Reviewed	BK	B. KNOLL	10/18		
					DRAWING NUMBER SM-01




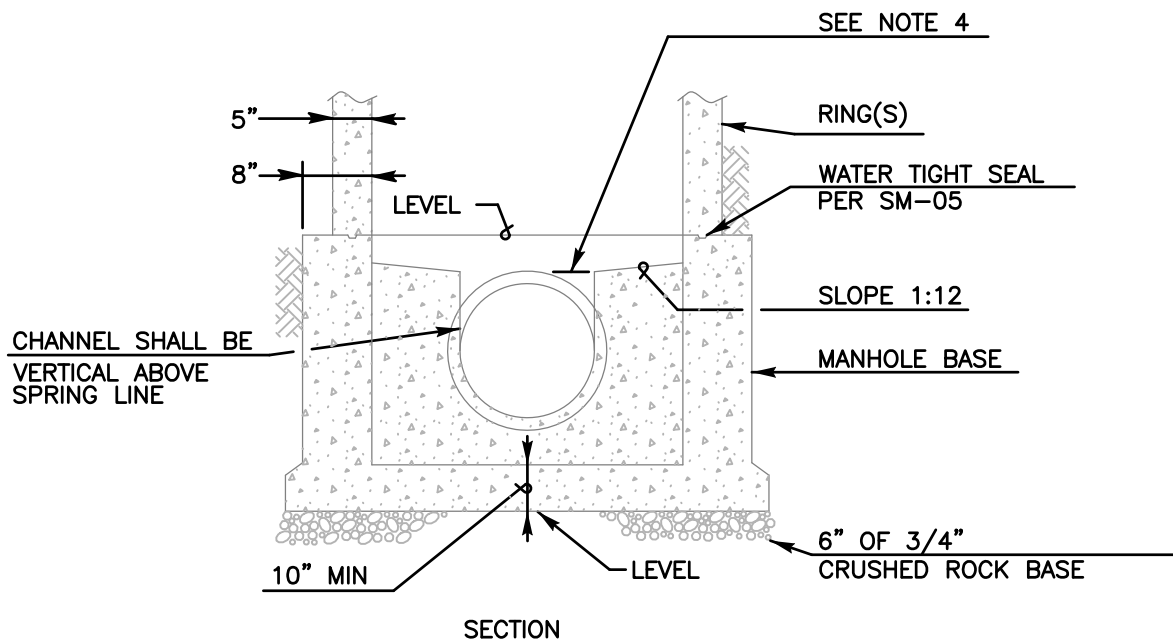
**NOTES:**

- 1) REFER TO AGENCY SPECIFICATIONS WHERE APPLICABLE
- 2) VERTICAL WALL OF CONE TO BE ON THE UPSTREAM SIDE OF MANHOLE SEE SM-05 FOR ACCESS LOCATIONS
- 3) FOR MANHOLE BASES SEE SM-03
- 4) MANHOLES FOR MAINS 18" AND LARGER SHALL BE COATED AND LINED PER SM-07
- 5) MATERIALS SHALL BE SELECTED FROM THE AGENCY'S APPROVED MATERIALS LIST



ITEM NO	SIZE AND DESCRIPTION	ITEM NO	SIZE AND DESCRIPTION
①	36" MANHOLE FRAME AND TWO CONCENTRIC COVERS SEE S.D.R.S.D. M-3	⑦	MANHOLE PIPE CONNECTOR SEE SM-04
②	36" DIA GRADE RING(S) 6" TO 18" HIGH	⑧	FIELD INSTALLED INVERT SEE SM-04
③	ECCENTRIC CONE SEE NOTE 2	⑨	CONCRETE BASE, PRECAST OR CAST IN PLACE
④	60" DIA RING(S) VARIABLE HEIGHT	⑩	6" OF 3/4" CRUSHED ROCK
⑤	WATER TIGHT JOINTS SEE SM-05	⑪	MANHOLE DETAIL SEE SM-05
⑥	SEWER MAIN		

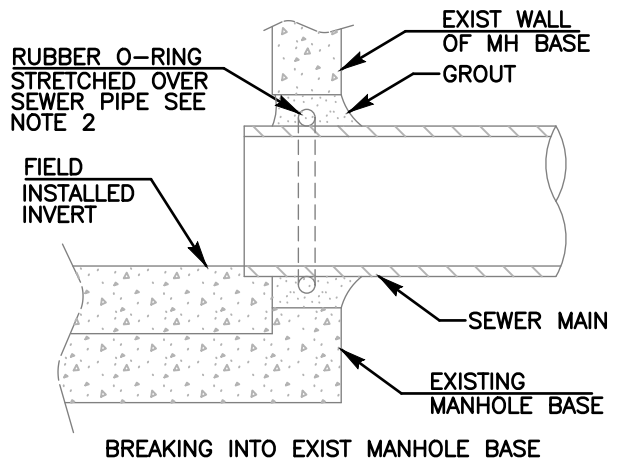
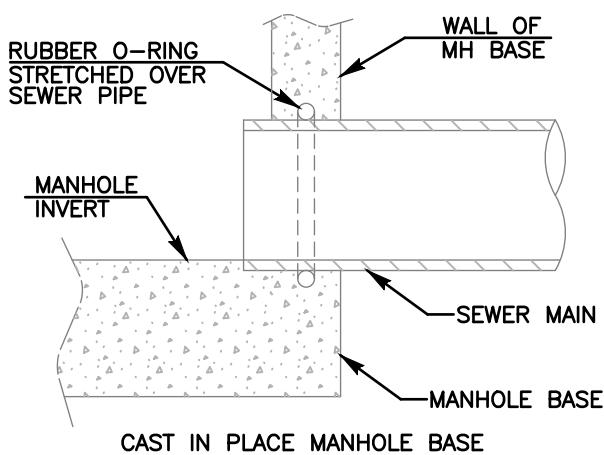
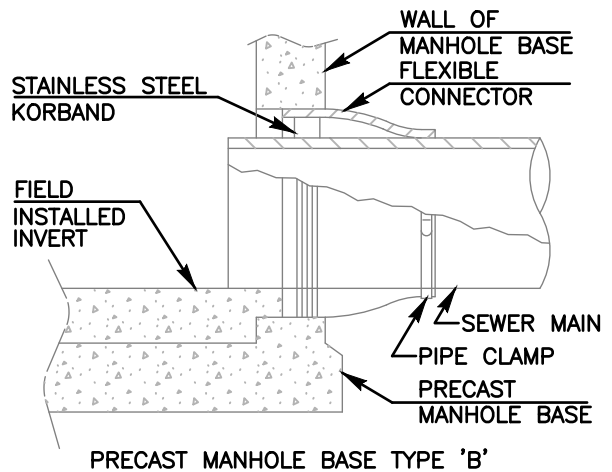
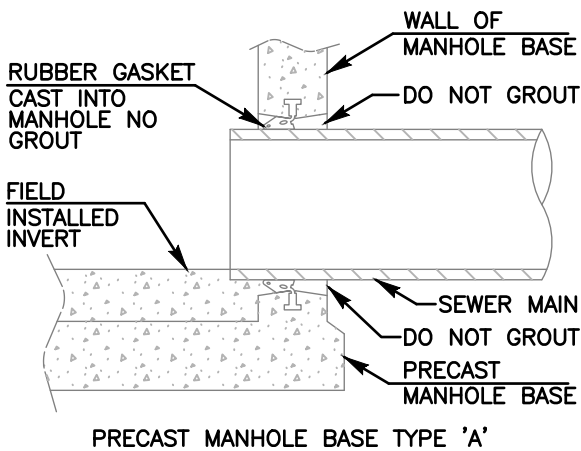
Revision	By	Approved	Date	SAN DIEGO REGIONAL STANDARD DRAWING	RECOMMENDED BY THE SAN DIEGO REGIONAL STANDARDS COMMITTEE
ORIGINAL		Kercheval	12/75		
Replaced S-02		J. Tomasulo	03/05	60" DIAMETER PRECAST MANHOLE INSTALLATION	 Chairperson R.C.E. 19246 Date 10/25/2018
Delete Metric	MR	B. KNOLL	03/11		
Reviewed	BK	B. KNOLL	04/15		
Reviewed	BK	B. KNOLL	10/18		
				DRAWING NUMBER	SM-02



NOTES:

- 1) REFER TO AGENCY SPECIFICATIONS WHERE APPLICABLE
- 2) FOR MANHOLE INSTALLATIONS SEE SM-01 AND SM-02
- 3) MANHOLE BASES FOR MAINS 18" AND LARGER SHALL BE COATED PER SM-07
- 4) LOWEST POINT ON SHELF SHALL BE EVEN WITH TOP OF PIPE
- 5) MATERIALS SHALL BE SELECTED FROM THE AGENCY'S APPROVED MATERIALS LIST

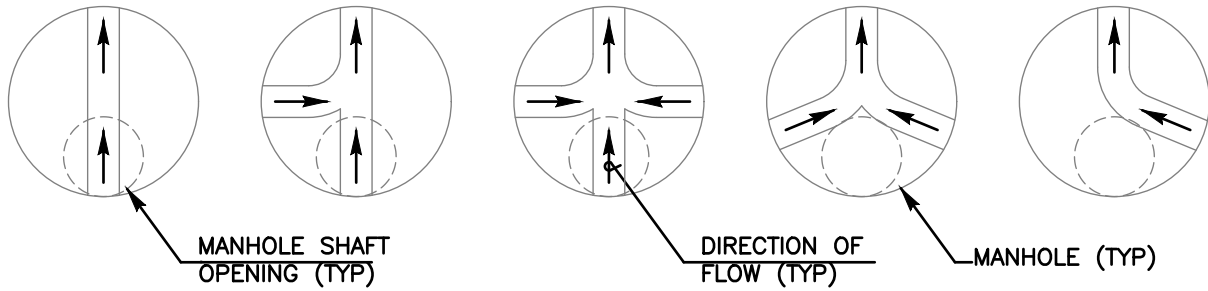
Revision	By	Approved	Date	SAN DIEGO REGIONAL STANDARD DRAWING	RECOMMENDED BY THE SAN DIEGO REGIONAL STANDARDS COMMITTEE
ORIGINAL		Kercheval	12/75		SEWER MANHOLE BASE
Replaced S-02		J. Tomasulo	03/05		
Delete Metric	MR	B. KNOLL	03/11		
Reviewed	BK	B. KNOLL	04/15		
Reviewed	BK	B. KNOLL	10/18	DRAWING NUMBER SM-03	



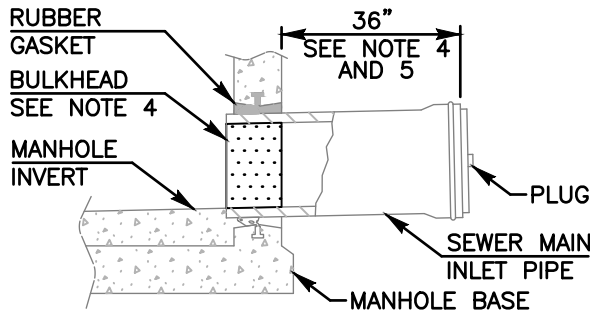
**NOTES:**

- 1) REFER TO AGENCY SPECIFICATIONS WHERE APPLICABLE
- 2) A RUBBER O-RING OR A FLEXIBLE CONNECTOR (AS SHOWN IN PRECAST MANHOLE BASE TYPE 'B') CAN BE USED WHEN BREAKING INTO EXISTING MANHOLE
- 3) FOR MANHOLES REQUIRING COATING AND LINING SEE SM-07
- 4) MATERIALS SHALL BE SELECTED FROM THE AGENCY'S APPROVED MATERIALS LIST

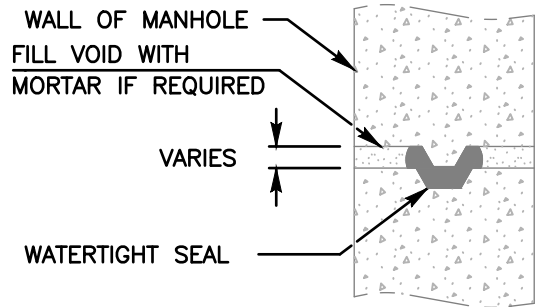
Revision	By	Approved	Date	SAN DIEGO REGIONAL STANDARD DRAWING	RECOMMENDED BY THE SAN DIEGO REGIONAL STANDARDS COMMITTEE
ORIGINAL		Kercheval	12/75		
Replaced S-02		J. Tomasulo	03/05		
Delete Metric	MR	B. KNOLL	03/11		
Reviewed	BK	B. KNOLL	04/15		
Reviewed	BK	B. KNOLL	10/18		
				DRAWING NUMBER SM-04	



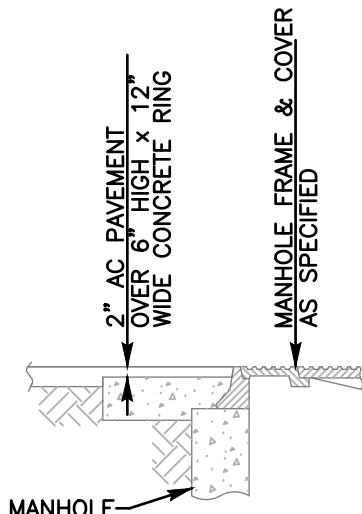
MANHOLE ACCESS LOCATION PLAN VIEW



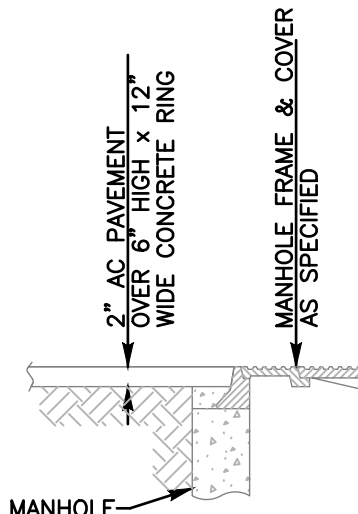
MANHOLE STUB OUT FOR FUTURE CONNECTION



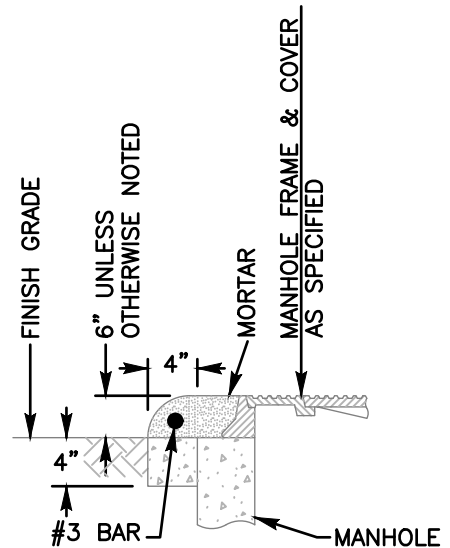
WATERTIGHT MANHOLE JOINT



PAVED AND TRAVELED AREAS  
TYPE A



PAVED AND TRAVELED AREAS  
TYPE B

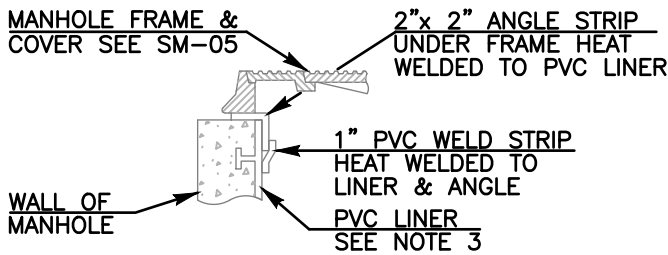
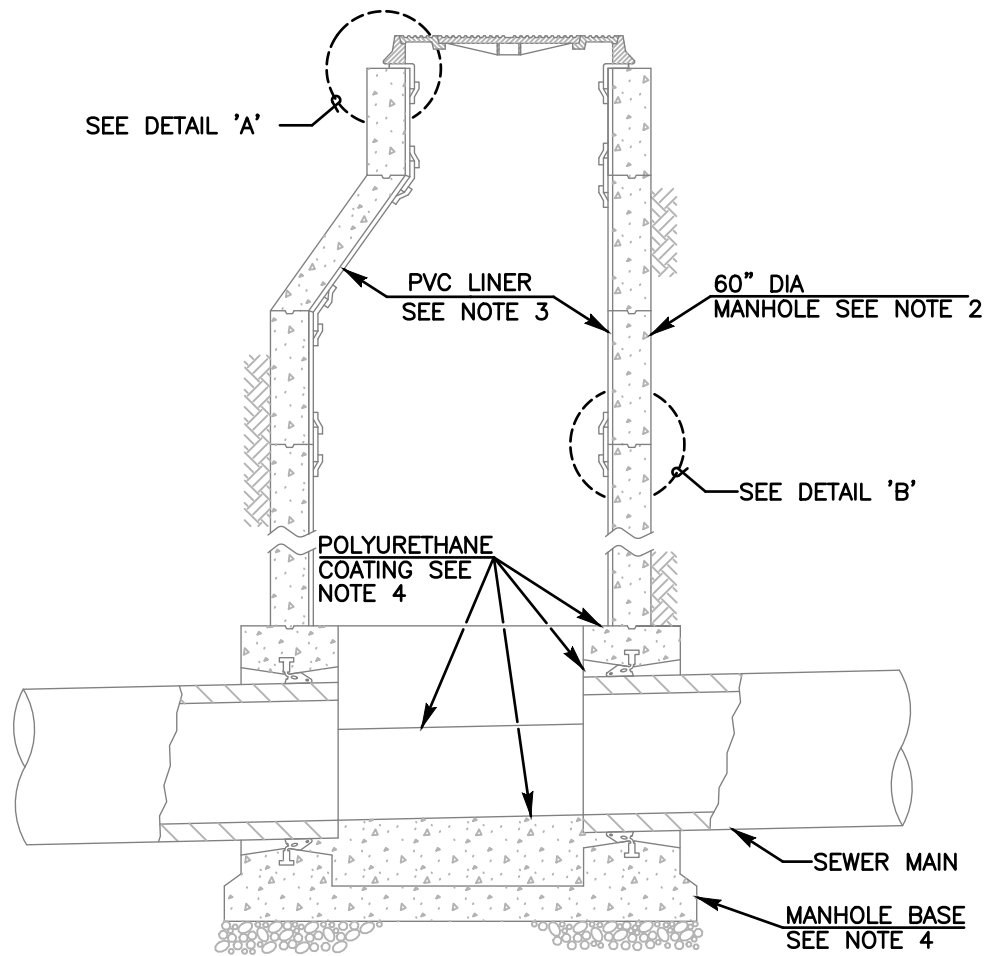


UNPAVED, UNTRAVELED, SHOULDER AREAS, AREAS IN EASEMENTS  
TYPE C

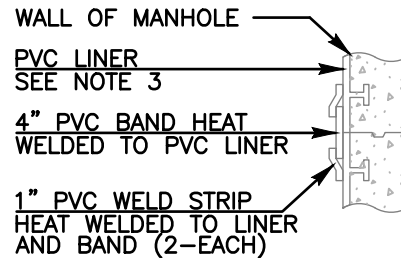
NOTES:

- 1) REFER TO AGENCY SPECIFICATIONS WHERE APPLICABLE
- 2) VERTICAL WALL OF CONE TO BE ON THE UP STREAM SIDE OF MANHOLE
- 3) FOR MANHOLES REQUIRING COATING AND LINING SEE SM-07
- 4) STUBS SHALL BE BULKHEADED AT THE MANHOLE END
- 5) SEWER MAIN TO BE LAID WITH BELLS UP-GRADE
- 6) MATERIALS SHALL BE SELECTED FROM THE AGENCY'S APPROVED MATERIALS LIST

Revision	By	Approved	Date	SAN DIEGO REGIONAL STANDARD DRAWING	RECOMMENDED BY THE SAN DIEGO REGIONAL STANDARDS COMMITTEE
ORIGINAL		Kercheval	12/75		MANHOLE MISCELLANEOUS DETAILS
Edited		T. Stanton	05/08		
Delete Metric	MR	B. KNOLL	03/11		
Reviewed	BK	B. KNOLL	04/15		
Reviewed	BK	B. KNOLL	10/18		
				DRAWING NUMBER SM-05	



DETAIL "A" MANHOLE  
FRAME & COVER



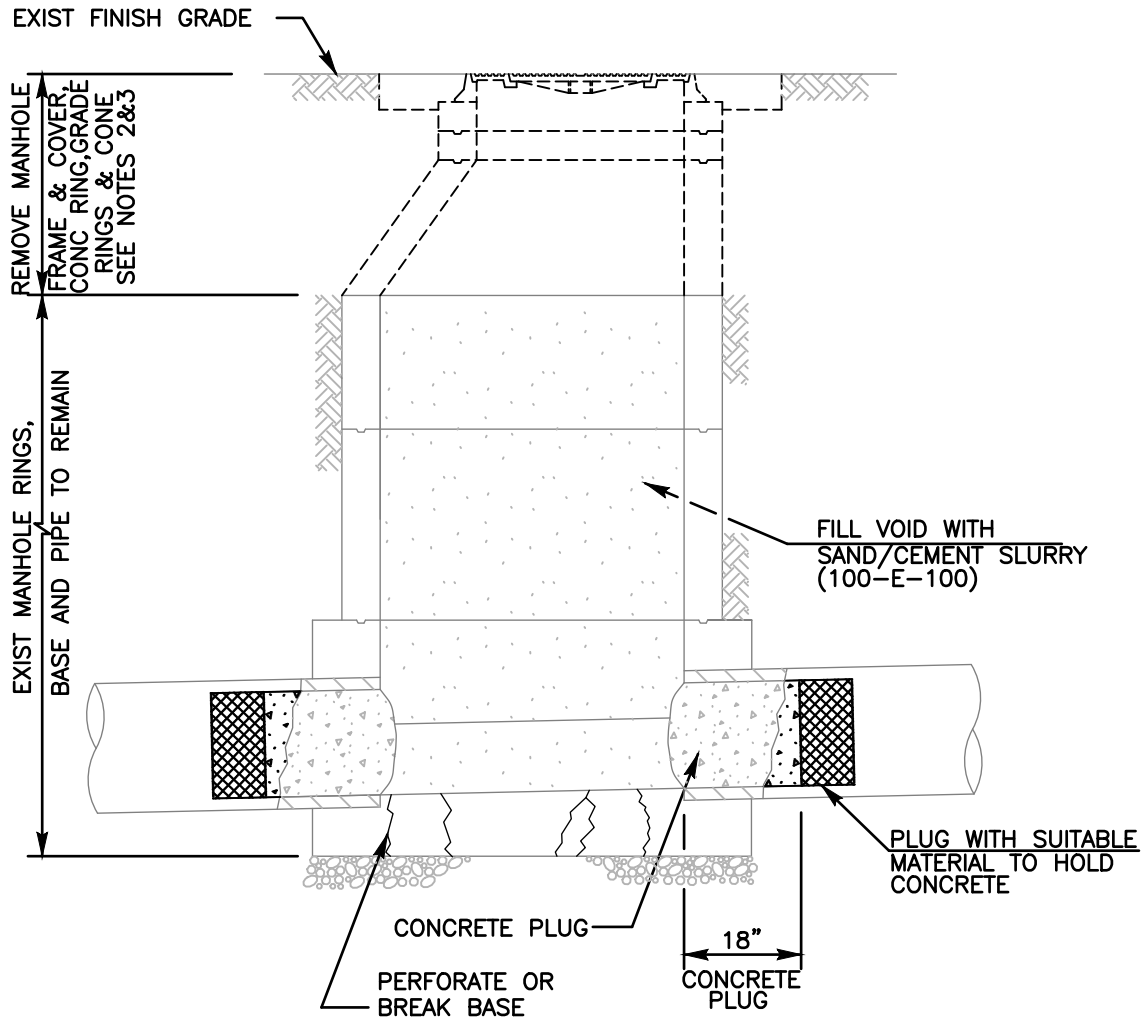
DETAIL "B" MANHOLE  
JOINT SECTIONS

**NOTES:**

- 1) REFER TO AGENCY SPECIFICATIONS WHERE APPLICABLE
- 2) MANHOLES FOR SEWER MAINS 18" AND LARGER SHALL BE COATED AND LINED
- 3) MANHOLE SHAFT AND CONE SECTIONS, AND GRADE RINGS SHALL HAVE A PVC LINER PLACED WITH T-SHAPED SUPPORTS INTEGRALLY CAST INTO THE CONCRETE (OR AGENCY APPROVED EQUAL TO PVC LINER)
- 4) ELASTOMERIC POLYURETHANE COATING SHALL BE APPLIED TO THE INTERIOR OF MANHOLE BASES
- 5) MATERIALS SHALL BE SELECTED FROM THE AGENCY'S APPROVED MATERIALS LIST

Revision	By	Approved	Date	SAN DIEGO REGIONAL STANDARD DRAWING	RECOMMENDED BY THE SAN DIEGO REGIONAL STANDARDS COMMITTEE
ORIGINAL		Kercheval	12/75		<p>MANHOLE COATING AND LINING SYSTEM</p>
Replaced S-02		J. Tomasulo	03/05		
Delete Metric	MR	B. KNOLL	03/11		
Note 3	BK	B. KNOLL	04/15		
Reviewed	BK	B. KNOLL	10/18		
				<p>DRAWING NUMBER SM-07</p>	





**NOTES:**

- 1) REFER TO AGENCY SPECIFICATIONS WHERE APPLICABLE
- 2) ALL SALVAGED MATERIAL BECOMES PROPERTY OF AGENCY OF JURISDICTION
- 3) BACKFILL PER AGENCY'S REQUIREMENT
- 4) FOR CUTTING & PLUGGING ABANDONED SEWER MAINS SEE WP-03

—○—  
 LEGEND ON PLANS

Revision	By	Approved	Date
ORIGINAL		Kercheval	12/75
Replaced S-02		J. Tomasulo	03/05
Delete Metric	MR	B. KNOLL	03/11
Add Call-out	BK	B. KNOLL	04/15
Reviewed	BK	B. KNOLL	10/18

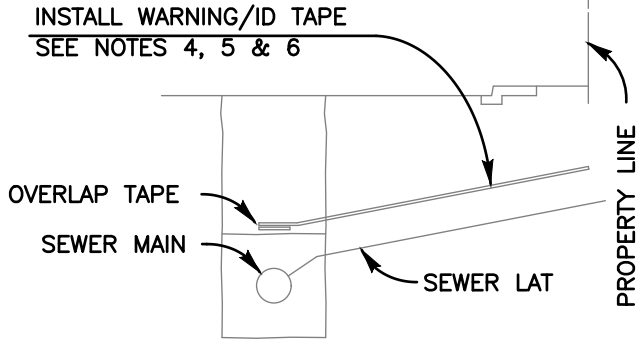
SAN DIEGO REGIONAL STANDARD DRAWING

EXISTING MANHOLE  
 ABANDONMENT

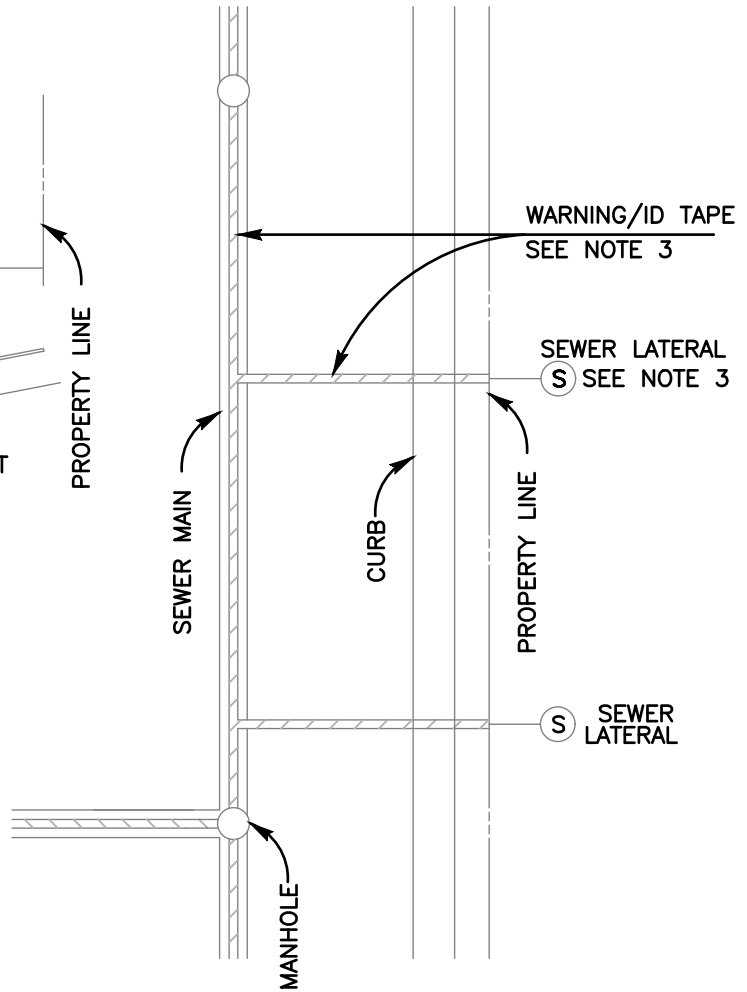
RECOMMENDED BY THE SAN DIEGO REGIONAL STANDARDS COMMITTEE

*M. Stanton* 10/25/2018  
 Chairperson R.C.E. 19246 Date

DRAWING NUMBER **SM-08**



SECTION AT SEWER LATERALS

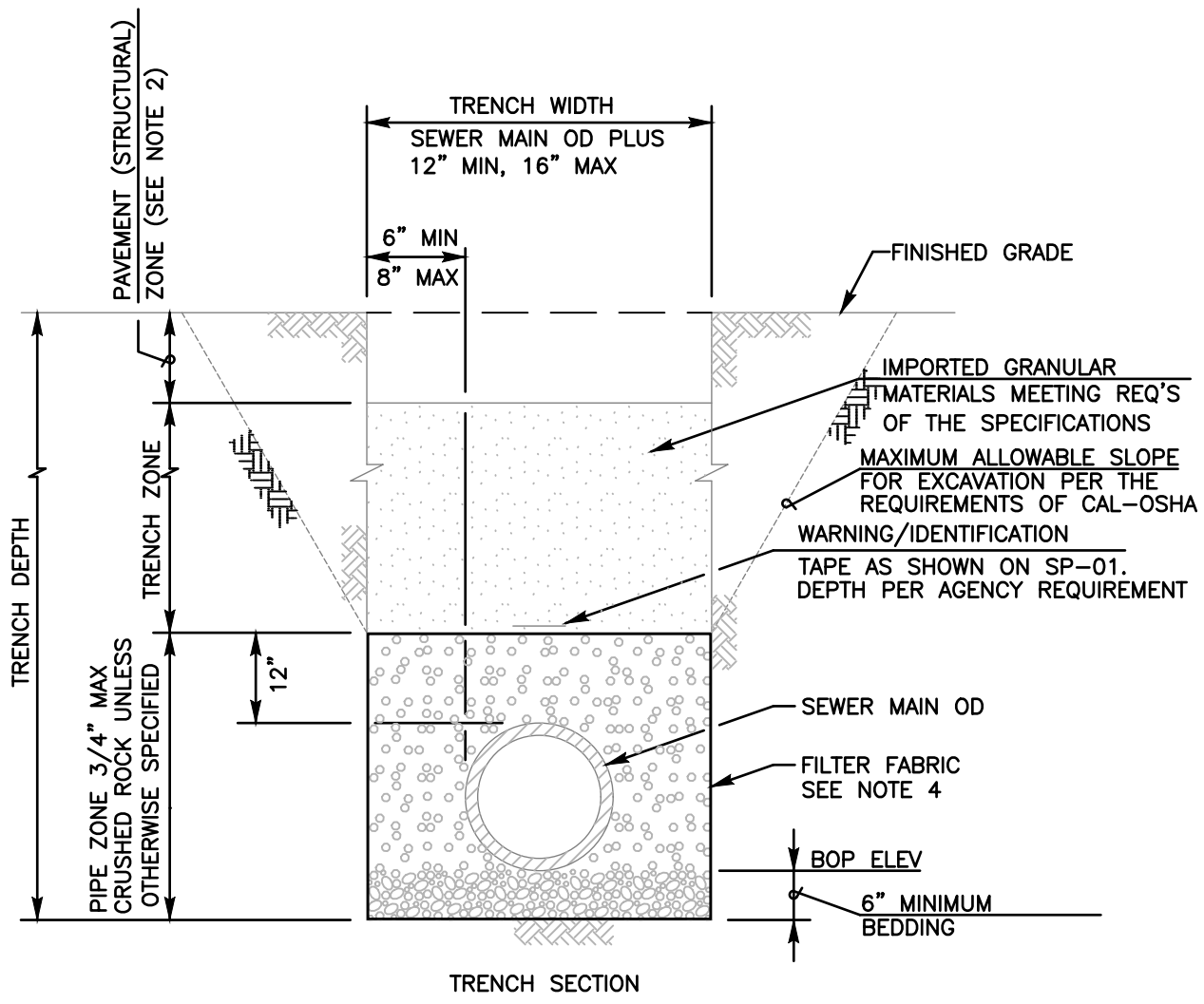


PLAN

NOTES:

- 1) REFER TO AGENCY SPECIFICATIONS WHERE APPLICABLE
- 2) WARNING/IDENTIFICATION TAPE SHALL BE INSTALLED AS SPECIFIED BY AGENCY
- 3) STAMP OR CHISEL A 2" HIGH 'S' IN CURB FACE TO IDENTIFY SEWER LATERAL LOCATION
- 4) FOR SEWER LATERALS EXTEND TAPE TO PROPERTY LINE
- 5) DEPTH OF WARNING/IDENTIFICATION TAPE AS SPECIFIED BY AGENCY
- 6) MATERIALS SHALL BE SELECTED FROM THE AGENCY'S APPROVED MATERIALS LIST

Revision	By	Approved	Date	SAN DIEGO REGIONAL STANDARD DRAWING	RECOMMENDED BY THE SAN DIEGO REGIONAL STANDARDS COMMITTEE
ORIGINAL		Kercheval	12/75		<p>WARNING/IDENTIFICATION TAPE INSTALLATION</p>
Replaced S-19		J. Tomasulo	03/05		
Delete Metric	MR	B. KNOLL	03/11		
Reviewed	BK	B. KNOLL	04/15		
Reviewed	BK	B. KNOLL	10/18		
					DRAWING NUMBER SP-01

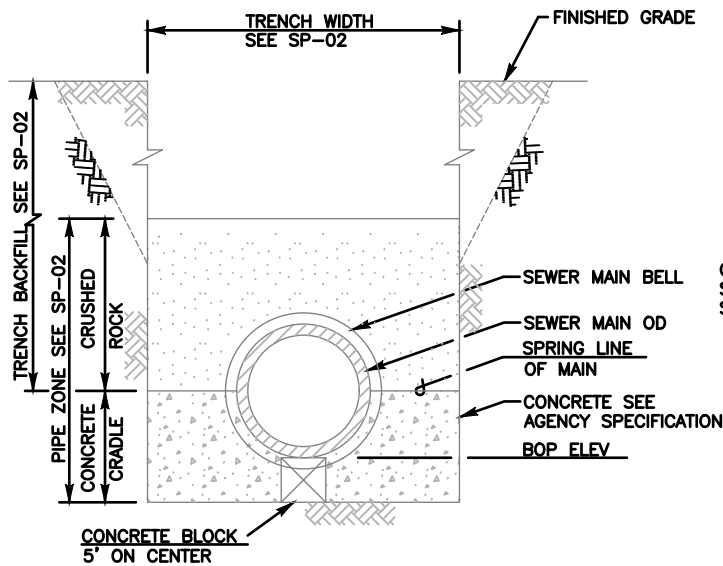


TRENCH SECTION

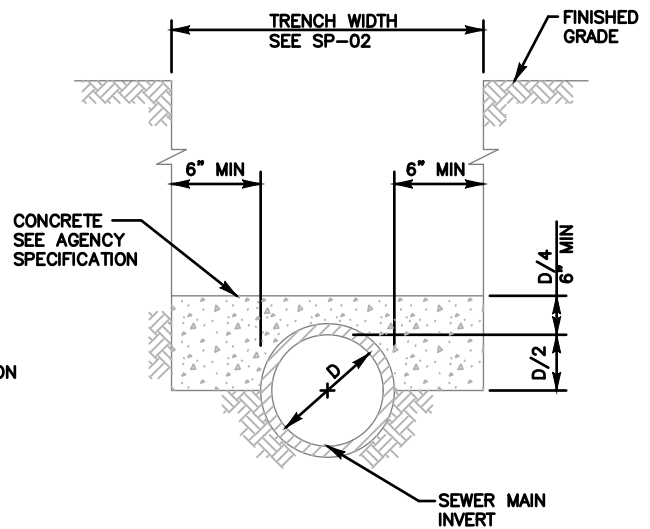
NOTES:

- 1) REFER TO AGENCY SPECIFICATIONS FOR TRENCHING, BACKFILLING AND COMPACTING WHERE APPLICABLE
- 2) PAVING OR PAVEMENT REPAIR TO BE DONE IN ACCORDANCE WITH AGENCY OF JURISDICTION
- 3) EXCAVATE BELL HOLES AT EACH JOINT TO PERMIT PROPER ASSEMBLY AND INSPECTION OF THE ENTIRE JOINT
- 4) FILTER FABRIC AS REQUIRED BY AGENCY OF JURISDICTION (WITH A MINIMUM 12" OVERLAP).

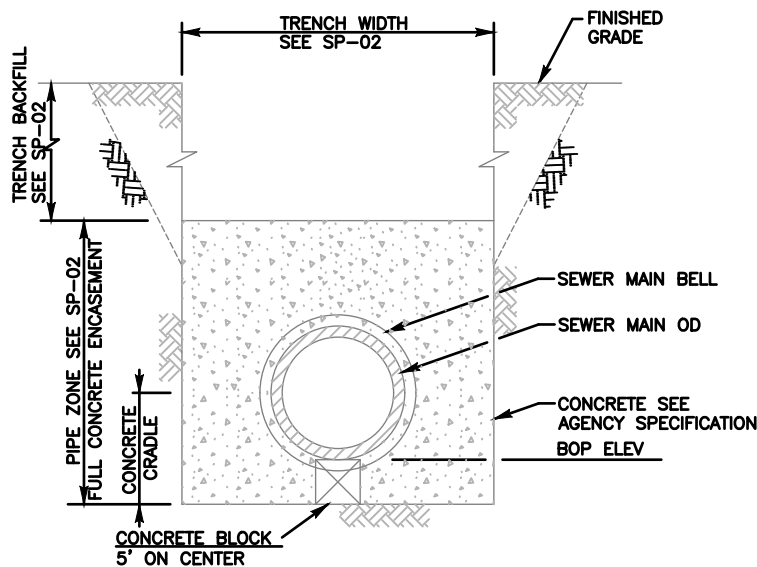
Revision	By	Approved	Date	SAN DIEGO REGIONAL STANDARD DRAWING	RECOMMENDED BY THE SAN DIEGO REGIONAL STANDARDS COMMITTEE
ORIGINAL		Kercheval	12/75		<p>PIPE BEDDING AND TRENCH BACKFILL FOR SEWER FACILITIES</p>
Replaced S-04		J. Tomasulo	03/05	DRAWING NUMBER	
Delete Metric	MR	B. KNOLL	03/11	SP-02	
Reviewed	BK	B. KNOLL	04/15		
Reviewed	BK	B. KNOLL	10/18		



TRENCH SECTION  
CONCRETE PIPE CRADLE



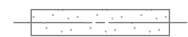
TRENCH SECTION  
CONCRETE PROTECTION



TRENCH SECTION  
CONCRETE PIPE ENCASEMENT

NOTES:

- 1) REFER TO AGENCY SPECIFICATIONS FOR TRENCHING, BACKFILLING AND COMPACTING WHERE APPLICABLE
- 2) CONCRETE CRADLE SHALL BE USED WHEN THE TRENCH WIDTH AT THE UPPER LIMIT OF THE PIPE ZONE EXCEEDS THE MAX WIDTH SPECIFIED ON SP-02 AND OR DIRECTED BY AGENCY'S ENGINEER
- 3) FOR PIPE BEDDING AND TRENCH BACKFILL SEE SP-02



LEGEND ON PLANS

Revision	By	Approved	Date
ORIGINAL		Kercheval	12/75
Replaced S-06		J. Tomasulo	03/05
Delete Metric	MR	B. KNOLL	03/11
Reviewed	BK	B. KNOLL	04/15
Reviewed	BK	B. KNOLL	10/18

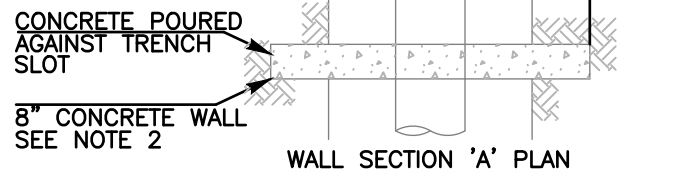
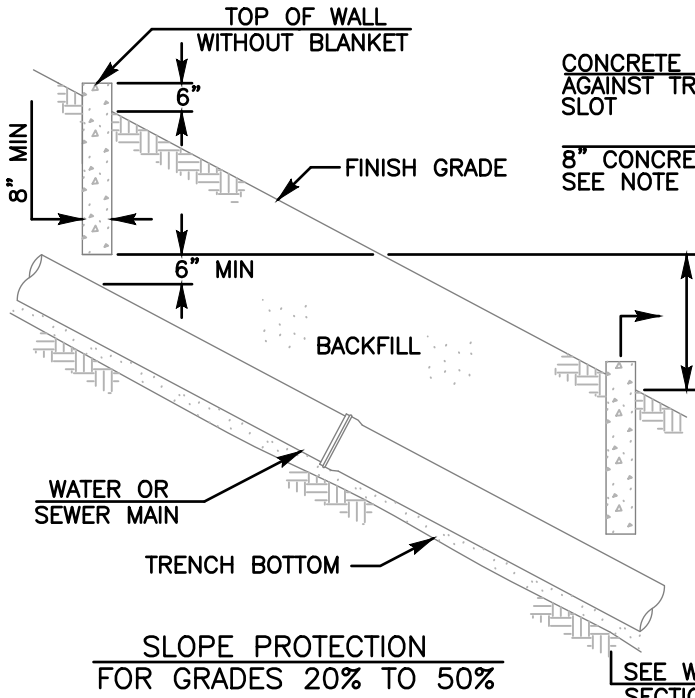
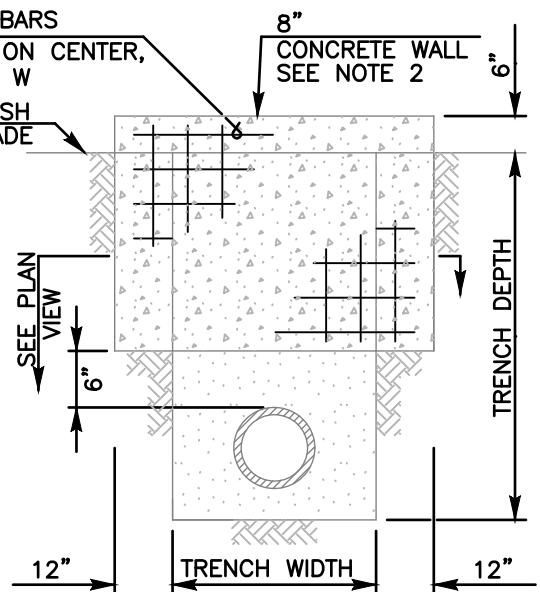
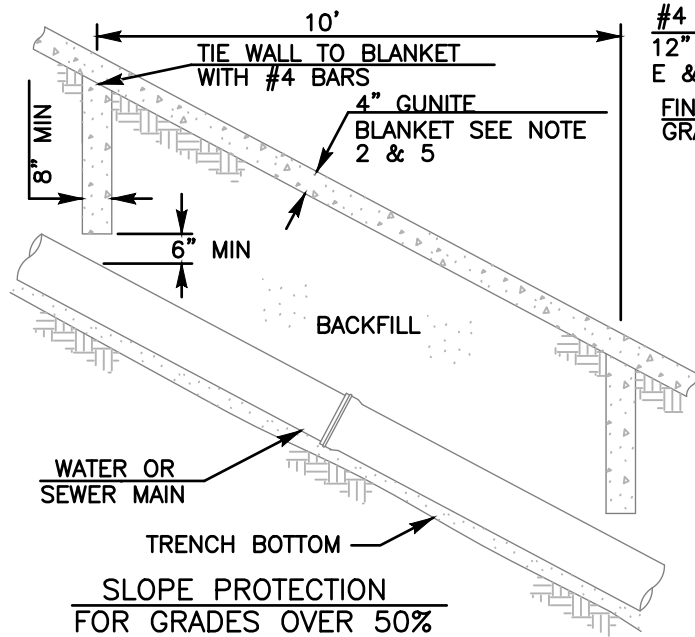
SAN DIEGO REGIONAL STANDARD DRAWING

CONCRETE PROTECTION FOR  
SEWER PIPE

RECOMMENDED BY THE SAN DIEGO  
REGIONAL STANDARDS COMMITTEE

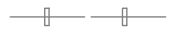
*M. Stanton* 10/25/2018  
Chairperson R.C.E. 19246 Date

DRAWING NUMBER SP-03



NOTES:

- 1) REFER TO AGENCY SPECIFICATIONS WHERE APPLICABLE
- 2) THE DETAILS SHOWN REPRESENT THE MINIMUM REQUIRED. THE ENGINEER OF WORK IS REQUIRED TO PROVIDE A SUBMITTAL TO THE AGENCY OF JURISDICTION FOR REVIEW AND APPROVAL BY THE AGENCY'S ENGINEER PRIOR TO INSTALLATION
- 3) WALLS SHALL BE REINFORCED CONCRETE OR 8" x 8" x 16" CONCRETE BLOCK, REINFORCED AND ALL CORES FILLED WITH GROUT SEE SPECIFICATIONS
- 4) FOR GRADES OVER 50%, SLOPE PROTECTION SHALL ALSO INCLUDE AC PAVING, CONCRETE SLAB OR GUNITITE BLANKET PLACED OVER THE PIPELINE ALIGNMENT
- 5) 4" GUNITITE BLANKET WITH 6" SQUARE x 10 GAGE WIRE FABRIC AT THE ENGINEERS DISCRETION



LEGEND ON PLANS

Revision	By	Approved	Date
ORIGINAL		J. Tomasulo	03/05
Delete Metric	MR	B. KNOLL	03/11
Reviewed	BK	B. KNOLL	04/15
Reviewed	BK	B. KNOLL	10/18

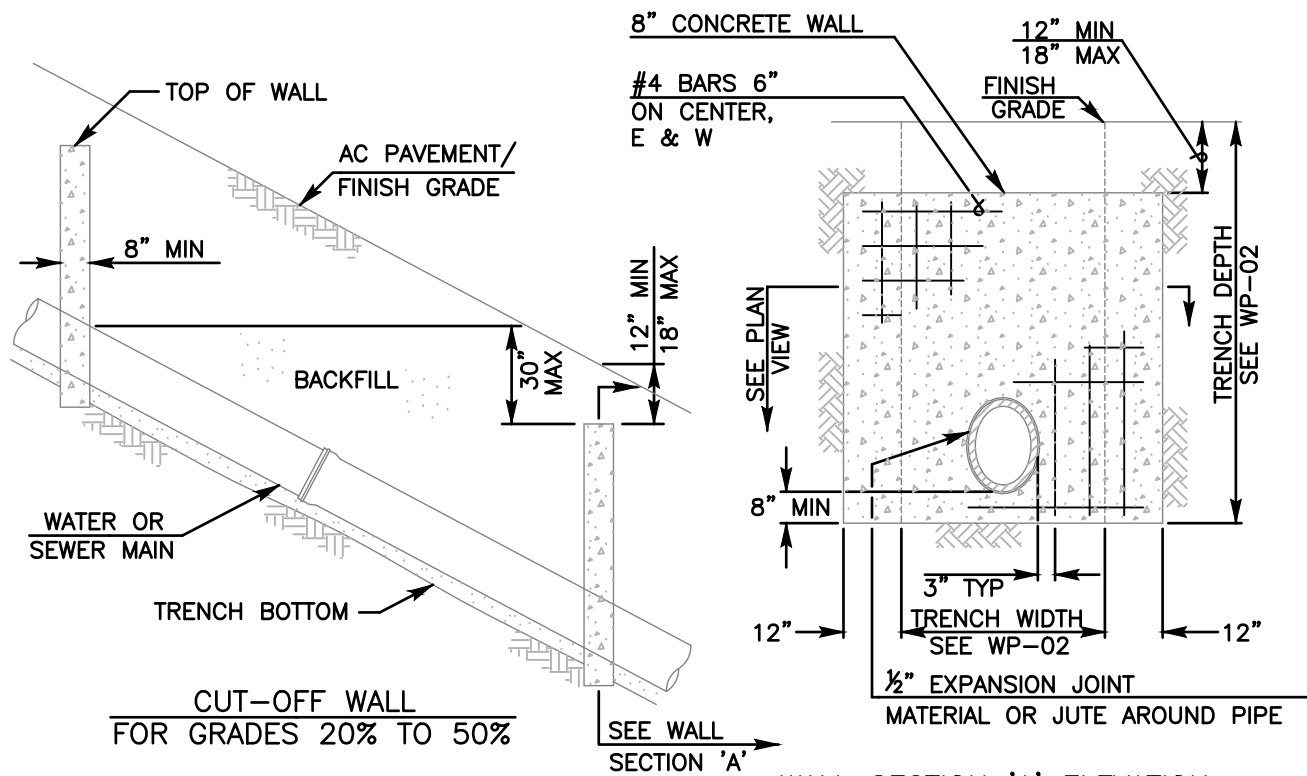
SAN DIEGO REGIONAL STANDARD DRAWING

SLOPE PROTECTION INSTALLATIONS

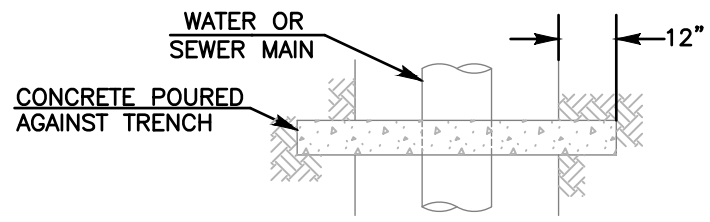
RECOMMENDED BY THE SAN DIEGO REGIONAL STANDARDS COMMITTEE

*M. Stanton* 10/25/2018  
Chairperson R.C.E. 19246 Date

DRAWING NUMBER SP-05



WALL SECTION 'A' ELEVATION



WALL SECTION 'A' PLAN

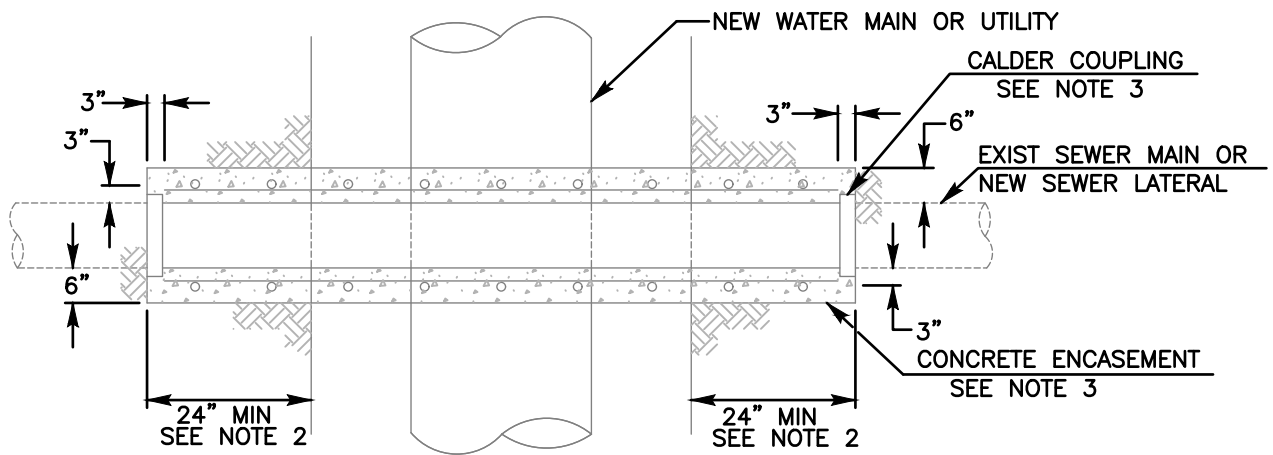
**NOTES:**

- 1) REFER TO AGENCY SPECIFICATIONS WHERE APPLICABLE
- 2) FOR USE AS TRENCH BACKFILL STABILIZATION IN TRAVELED AREAS
- 3) THE DETAILS SHOWN REPRESENT THE MINIMUM REQUIRED. THE ENGINEER OF WORK IS REQUIRED TO PROVIDE A SUBMITTAL TO THE AGENCY OF JURISDICTION FOR REVIEW AND APPROVAL BY THE AGENCY'S ENGINEER PRIOR TO INSTALLATION
- 4) WALLS SHALL BE REINFORCED CONCRETE OR 8" x 8" x 16" CONCRETE BLOCK, REINFORCED AND ALL CORES FILLED WITH GROUT SEE SPECIFICATIONS (HOR. 2-#4@32", VERT. 1-#4@8")
- 5) FOR GRADES OVER 50% SEE WP-05/SP-05

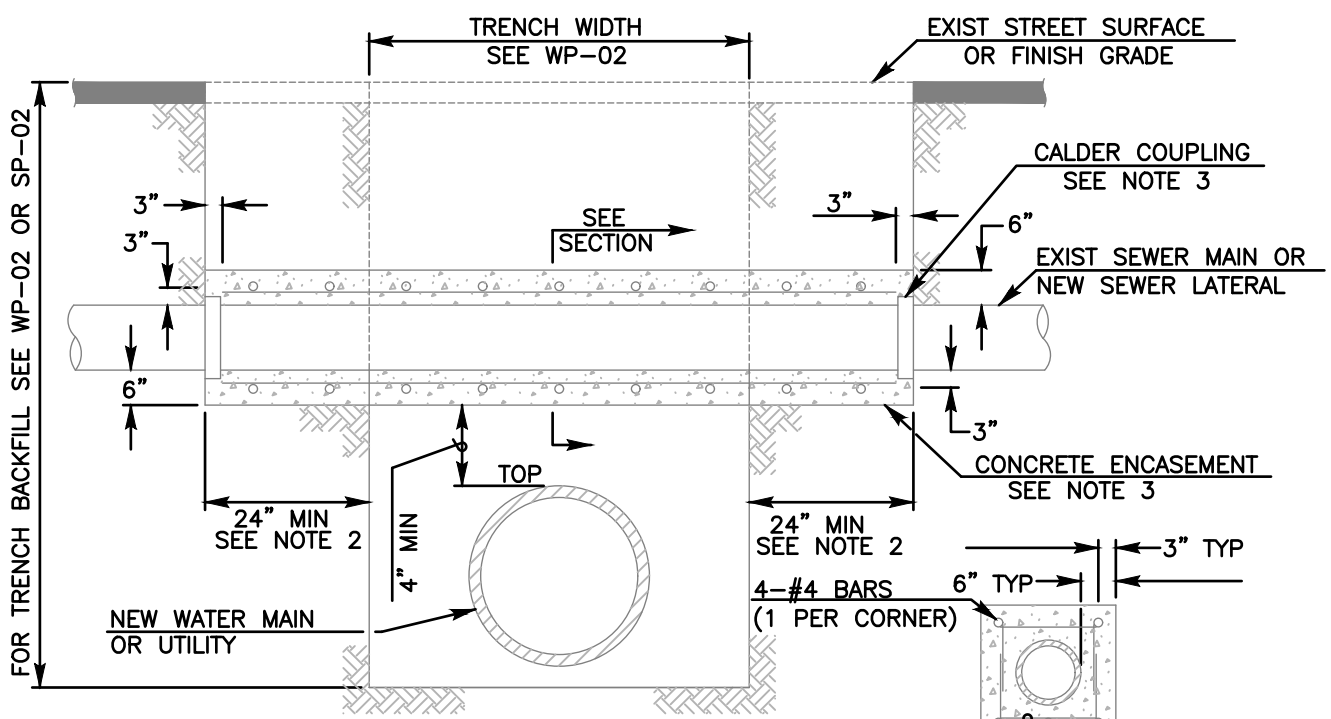


LEGEND ON PLANS

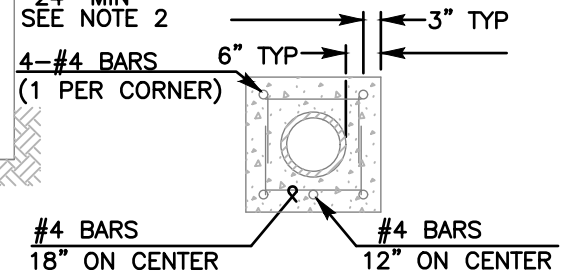
Revision	By	Approved	Date	SAN DIEGO REGIONAL STANDARD DRAWING	RECOMMENDED BY THE SAN DIEGO REGIONAL STANDARDS COMMITTEE	
ORIGINAL		J. Tomasulo	03/05		<p>CUT-OFF WALL INSTALLATION IN TRAVELED AREAS</p>	<p><i>R. C. E.</i> 10/25/2018 Chairperson R.C.E. 19246 Date</p>
Delete Metric	MR	B. KNOLL	04/11			
Note 4	BK	B. KNOLL	04/15			
Reviewed	BK	B. KNOLL	10/18			
					DRAWING NUMBER	SP-07



PLAN



ELEVATION



ENCASEMENT SECTION

NOTES:

- 1) REFER TO AGENCY SPECIFICATIONS FOR PROTECTION OF EXISTING FACILITIES
- 2) ENCASEMENT SHALL EXTEND TO FIRST JOINT BEYOND BOTH SIDES OF TRENCH (24" MIN, 48" MAX OF SUITABLE NATIVE SUPPORT BEYOND EDGE OF TRENCH).
- 3) CONCRETE ENCASEMENT REQUIRED FOR SEWER MAINS ONLY. CALDER COUPLINGS REQUIRED FOR SEWER LATERALS ONLY. SEWER LATERALS TO BE REPLACED WITH SCH. 80 PVC WITH NO INTERMEDIATE JOINTS.
- 4) FOR PIPE BEDDING AND TRENCH BACKFILL SEE WP-02 OR SP-02.

LEGEND ON PLANS



Revision	By	Approved	Date
ORIGINAL		J. Tomasulo	03/05
Delete Metric	MR	B. KNOLL	03/11
Reviewed	BK	B. KNOLL	04/15
Reviewed	BK	B. KNOLL	10/18

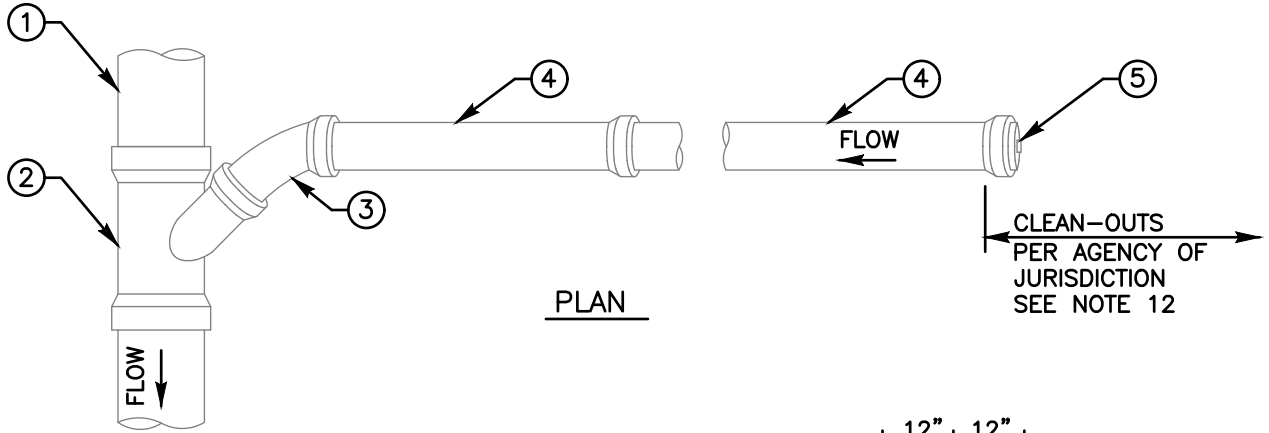
SAN DIEGO REGIONAL STANDARD DRAWING

PIPE SUPPORT FOR UNDERCUT  
SEWER MAINS OR SEWER LATERALS

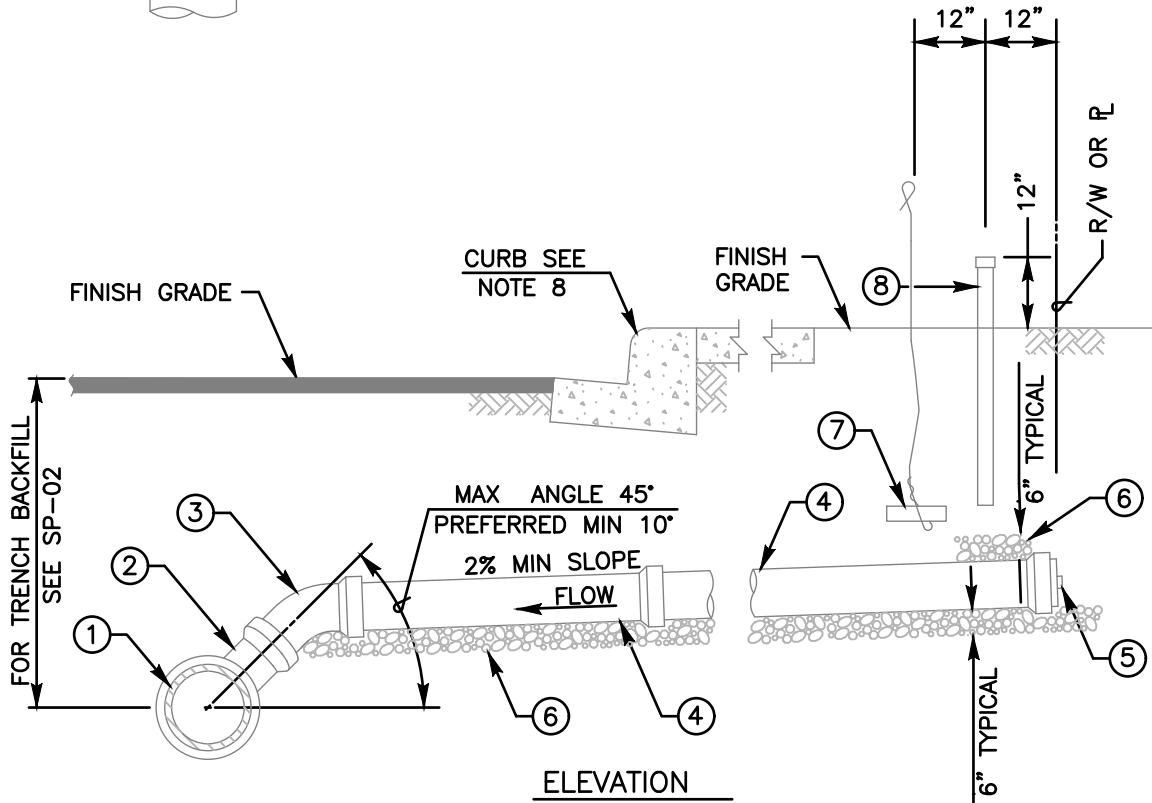
RECOMMENDED BY THE SAN DIEGO REGIONAL STANDARDS COMMITTEE

*M. Stanton* 10/25/2018  
Chairperson R.C.E. 19246 Date

DRAWING NUMBER SP-09



PLAN



ELEVATION

(INDICATE SIZE)



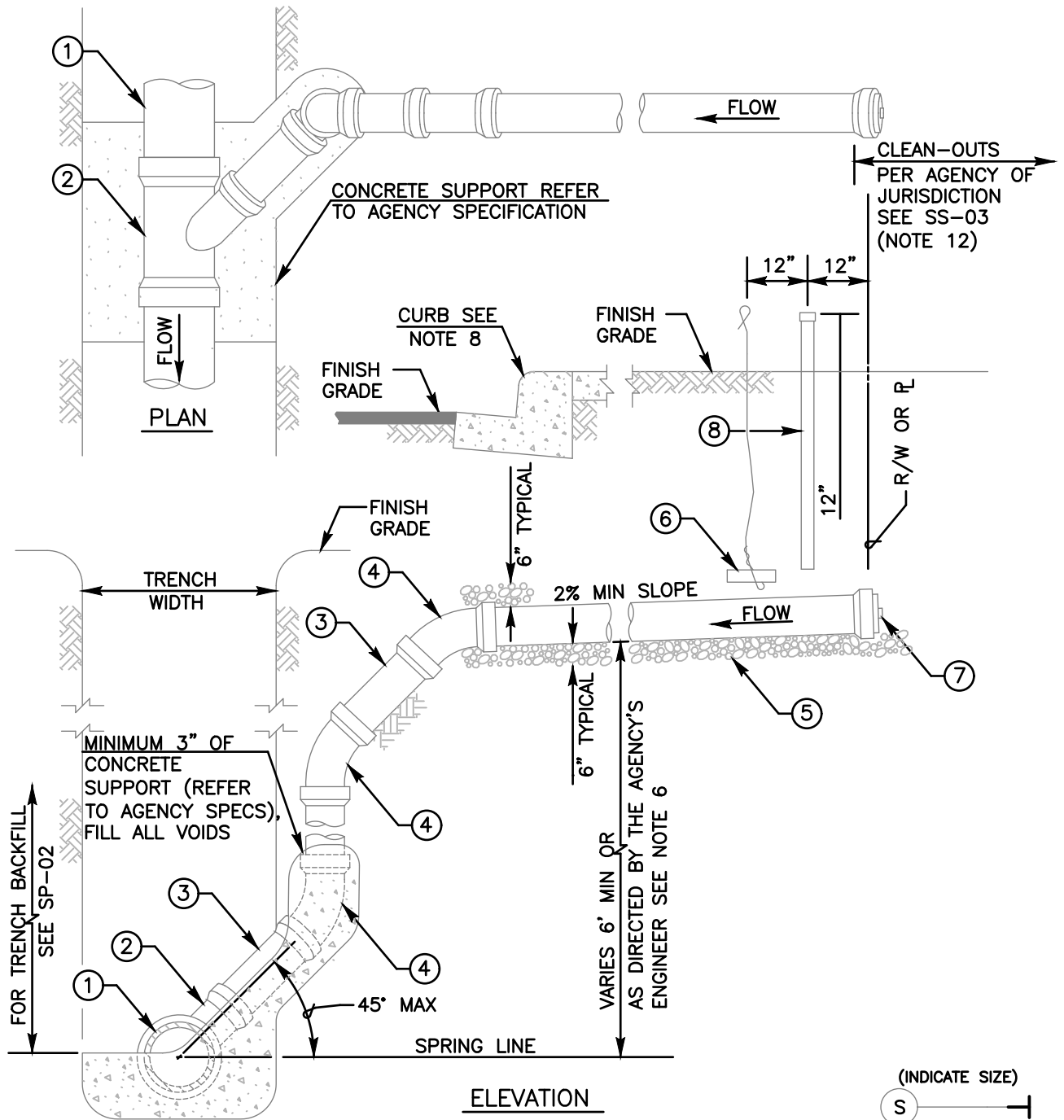
LEGEND ON PLANS

FOR SEWER LATERAL NOTES SEE DETAIL SS-03

ITEM NO	SIZE AND DESCRIPTION	ITEM NO	SIZE AND DESCRIPTION
①	SEWER MAIN	⑤	PLUG OR CAP
②	45° WYE	⑥	3/4" MAXIMUM CRUSHED ROCK
③	45° ELBOW	⑦	#9 WIRE ATTACHED TO A BRICK
④	PIPE LATERAL SEE NOTE 3 & 5	⑧	4" PVC PIPE WITH GLUED CAP

Revision	By	Approved	Date	SAN DIEGO REGIONAL STANDARD DRAWING		RECOMMENDED BY THE SAN DIEGO REGIONAL STANDARDS COMMITTEE
ORIGINAL		Kercheval	12/75	4" AND 6" SEWER LATERAL INSTALLATION		 Chairperson R.C.E. 19246 Date 10/25/2018
Replaced S-13		J. Tomasulo	03/05			
Delete Metric	MR	B. KNOLL	03/11			
Reviewed	BK	B. KNOLL	04/15			
Reviewed	BK	B. KNOLL	10/18			
				DRAWING NUMBER	SS-01	





FOR SEWER LATERAL NOTES SEE DETAIL SS-03

(INDICATE SIZE)  
 S ———— |  
 LEGEND ON PLANS

ITEM NO	SIZE AND DESCRIPTION	ITEM NO	SIZE AND DESCRIPTION
①	SEWER MAIN	⑤	3/4" MAXIMUM CRUSHED ROCK
②	45° WYE	⑥	#9 WIRE ATTACHED TO A BRICK
③	PIPE	⑦	PLUG OR CAP
④	45° ELBOW	⑧	4" PVC PIPE WITH GLUED CAP

Revision	By	Approved	Date
ORIGINAL		Kercheval	12/75
Add Metric		T. Stanton	03/03
Replaced S-14		J. Tomasulo	03/05
Delete Metric	MR	B. KNOLL	03/11
Reviewed	BK	B. KNOLL	10/18

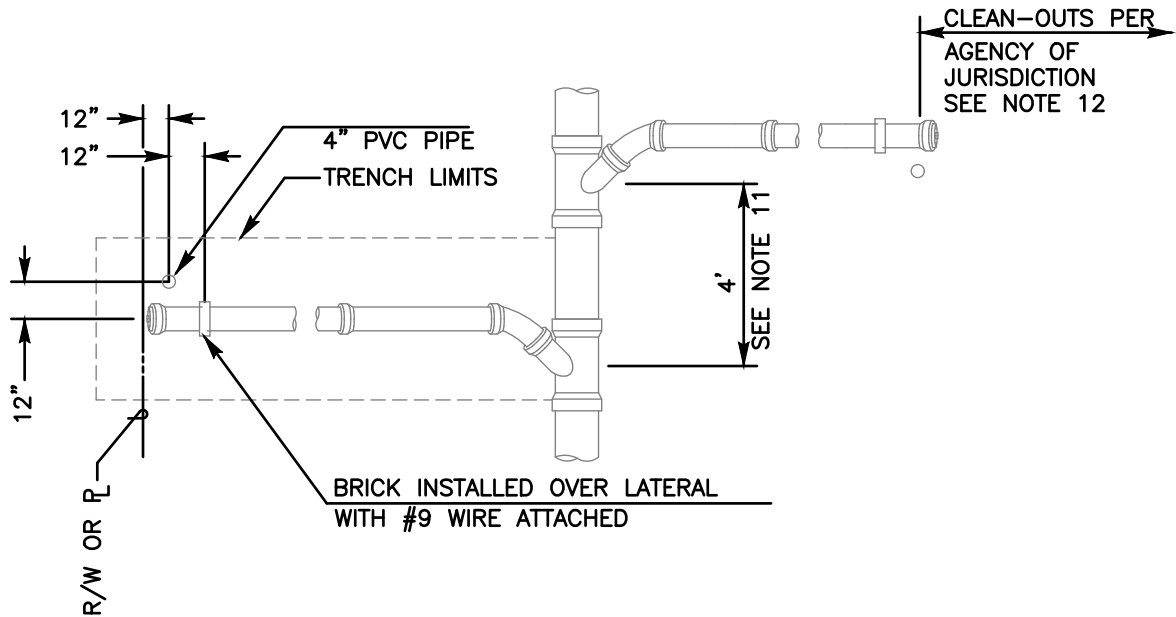
SAN DIEGO REGIONAL STANDARD DRAWING

4" AND 6" DEEP-CUT SEWER LATERAL  
INSTALLATION

RECOMMENDED BY THE SAN DIEGO REGIONAL STANDARDS COMMITTEE

*T. Stanton* 10/25/2018  
 Chairperson R.C.E. 19246 Date

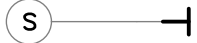
DRAWING NUMBER SS-02




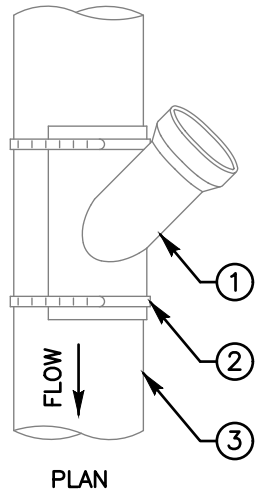
SEWER LATERAL DETAIL  
SEE NOTE 10 BELOW

NOTES:

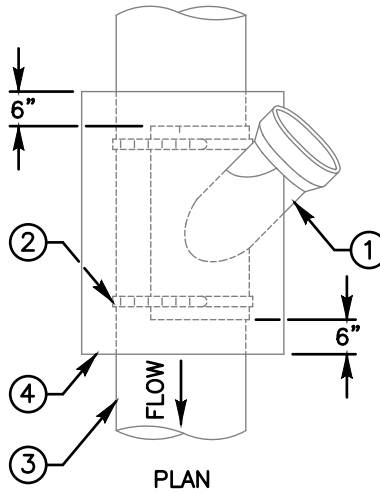
- 1) REFER TO AGENCY SPECIFICATIONS WHERE APPLICABLE
- 2) IN NO CASE SHALL LATERAL CONNECT DIRECTLY ON TOP OF SEWER MAIN
- 3) LATERAL SHALL BE INSTALLED TO PROPERTY LINE UNLESS SPECIFIED ON PLANS
- 4) MINIMUM 4' COVER ABOVE LATERAL AT PROPERTY LINE
- 5) LATERAL TO HAVE A MINIMUM SLOPE OF 2%
- 6) VERTICAL PIPE SHALL BE BRACED WHILE BACKFILLING TRENCH
- 7) INSTALL WARNING/IDENTIFICATION TAPE AS SHOWN ON SP-01
- 8) STAMP OR CHISEL A 2" HIGH "S" IN CURB FACE OVER LATERAL TO IDENTIFY SEWER LATERAL LOCATION
- 9) MATERIALS SHALL BE SELECTED FROM THE AGENCY'S APPROVED MATERIALS LIST
- 10) FOR SEWER LATERAL INSTALLATIONS SEE SS-01 AND SS-02
- 11) FOR SEWERS SPECIFIED AS PVC PIPE, A MINIMUM 3' SECTION OF PIPE IS REQUIRED BETWEEN FITTINGS
- 12) SEWER CLEAN-OUT SEE SC-01 TYPE B AS REQUIRED BY AGENCY OF JURISDICTION

(INDICATE SIZE)  
  
 LEGEND ON PLANS

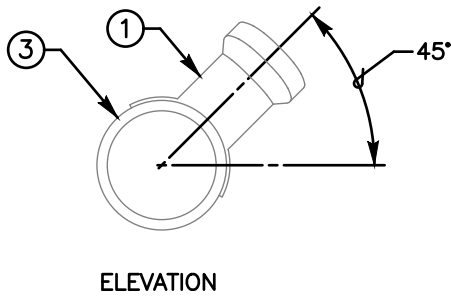
Revision	By	Approved	Date	SAN DIEGO REGIONAL STANDARD DRAWING		RECOMMENDED BY THE SAN DIEGO REGIONAL STANDARDS COMMITTEE
ORIGINAL		Kercheval	12/75	SEWER LATERAL NOTES AND DETAIL		 10/25/2018 Chairperson R.C.E. 19246 Date
Add Metric		T. Stanton	03/03			
Replaced S-13		J. Tomasulo	03/05			
Delete Metric	MR	B. KNOLL	03/11			
Reviewed	BK	B. KNOLL	10/18			
				DRAWING NUMBER		SS-03



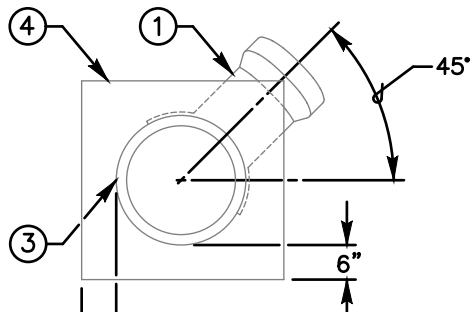
PLAN



PLAN



ELEVATION



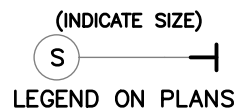
ELEVATION

CUT IN WYE CONNECTION  
TYPE A

CUT IN WYE CONNECTION  
TYPE B

NOTES:

- 1) REFER TO AGENCY SPECIFICATIONS WHERE APPLICABLE
- 2) CONNECTIONS TO EXISTING SEWER MAINS TO BE MADE BY AGENCY PERSONNEL IN ACCORDANCE WITH SPECIFICATIONS UNLESS OTHERWISE NOTED ON PLANS
- 3) IN NO CASE SHALL CONNECTION BE MADE DIRECTLY ON TOP OF SEWER MAIN
- 4) NO MORE THAN ONE CUT IN WYE WILL BE ALLOWED FOR EACH LENGTH OF EXISTING VCP SEWER MAIN
- 5) FOR SEWER LATERAL INSTALLATION SEE SS-01 AND SS-02
- 6) FOR TRENCH BACKFILL SEE SP-02
- 7) MATERIALS SHALL BE SELECTED FROM THE AGENCY'S APPROVED MATERIALS LIST



ITEM NO	SIZE AND DESCRIPTION	ITEM NO	SIZE AND DESCRIPTION
①	45° SADDLE WYE WITH GASKET	③	EXISTING SEWER MAIN
②	STAINLESS STEEL HOSE CLAMPS (2-EACH)	④	CONCRETE ENCASUREMENT

Revision	By	Approved	Date	SAN DIEGO REGIONAL STANDARD DRAWING	RECOMMENDED BY THE SAN DIEGO REGIONAL STANDARDS COMMITTEE
ORIGINAL		Kercheval	12/75		4" AND 6" SEWER CUT-IN WYE CONNECTIONS
Replaced S-13		J. Tomasulo	03/05		
Delete Metric	MR	B. KNOLL	03/11		
Reviewed	BK	B. KNOLL	04/15		
Reviewed	BK	B. KNOLL	10/18		
					 10/25/2018 Chairperson R.C.E. 19246 Date DRAWING NUMBER SS-04