

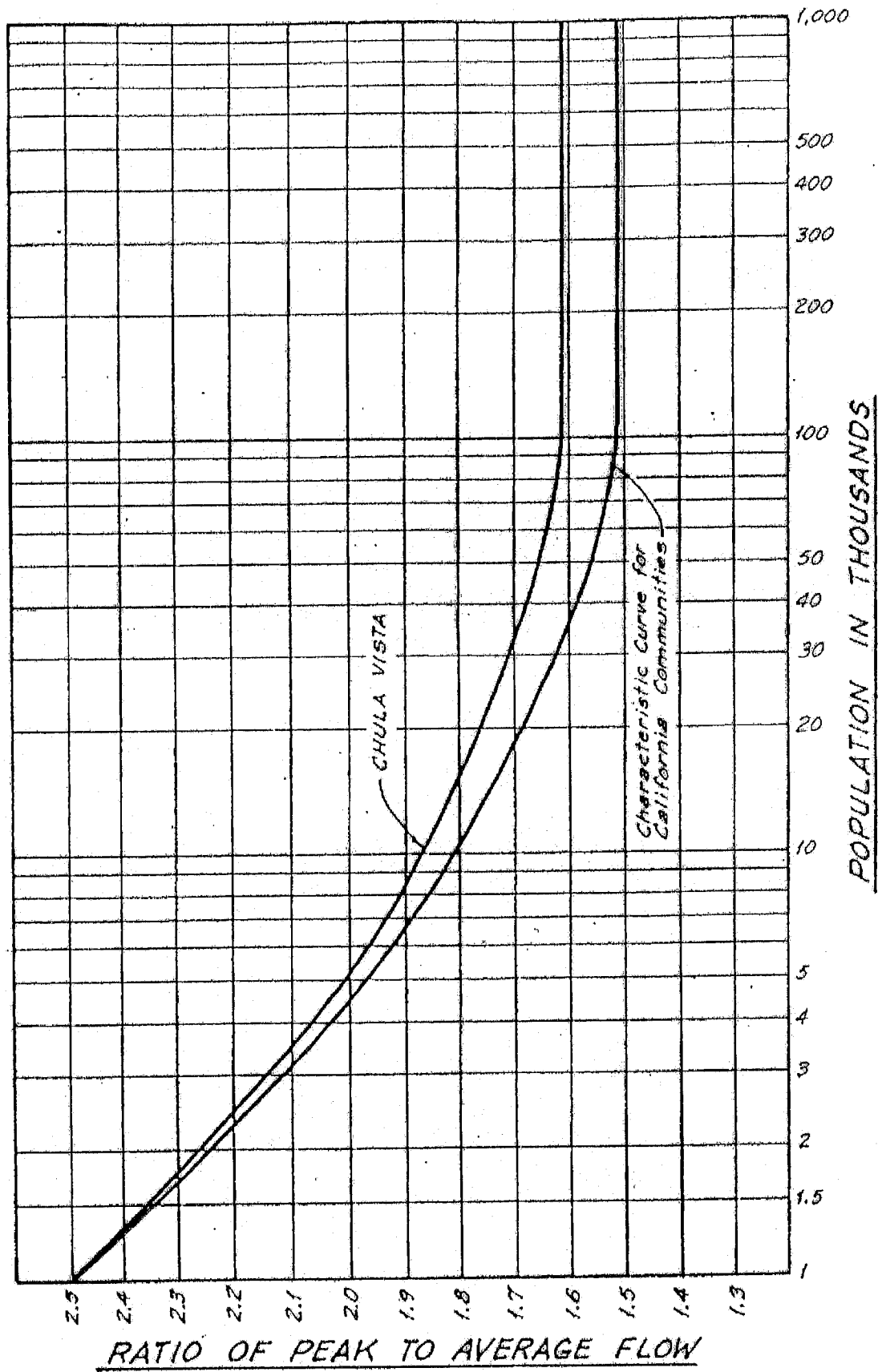
**APPENDIX H      2017 City of Chula Vista Design and  
Construction Standard Drawings – Sewer  
(SWR) Section**

# SEWER

(SWR)



**RATIO OF PEAK TO AVERAGE SEWAGE FLOW  
VS. MAGNITUDE OF TRIBUTARY POPULATION**



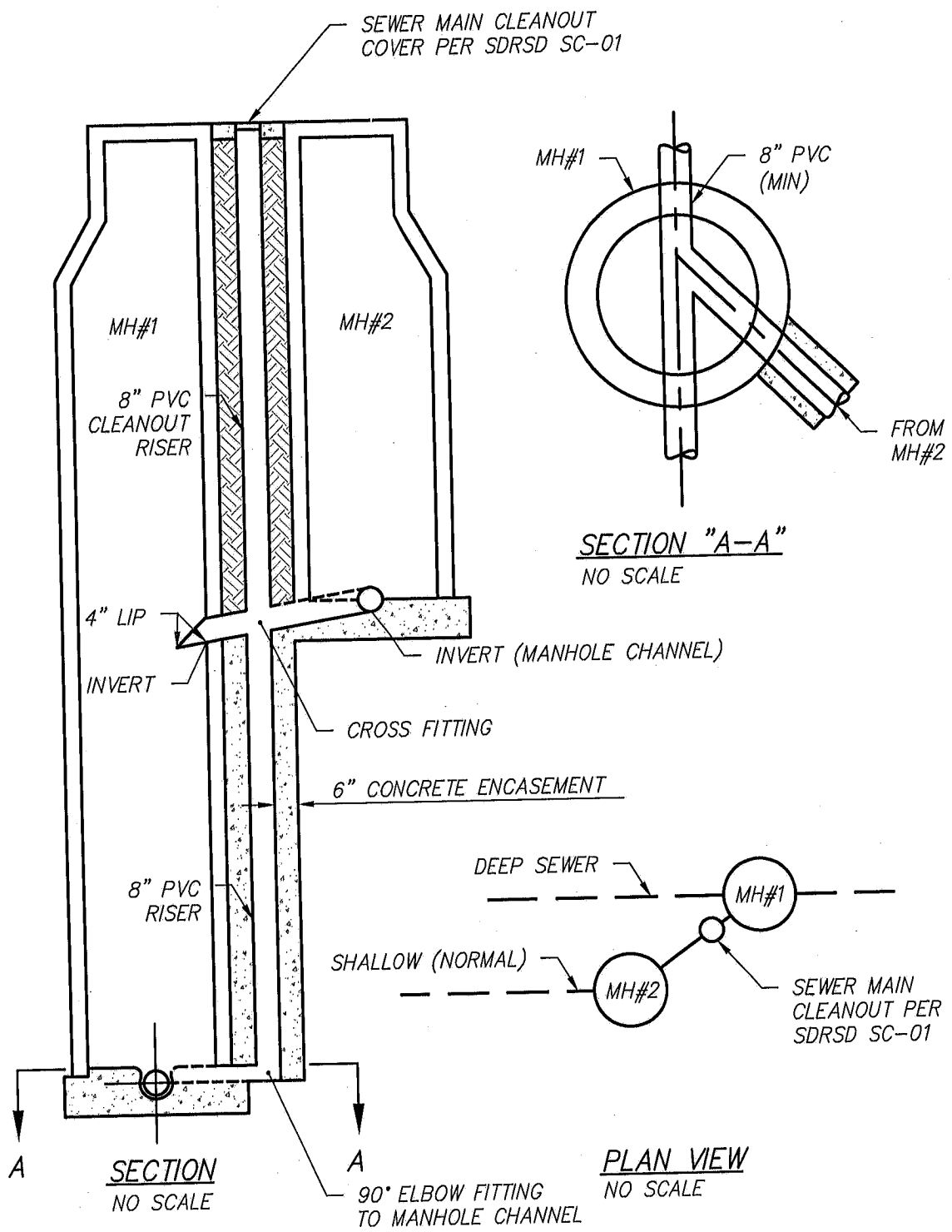
REVISION	BY	APPROVED	DATE
ORIGINAL	JWH		10/72
		C. SWANSON	11/02
REVISION	DPH	W. VALLE	11/17

CITY OF CHULA VISTA  
ENGINEERING & CAPITAL PROJECTS  
STANDARD DRAWING

PEAK TO AVERAGE SEWER FLOW

*William S. Valle*  
WILLIAM S. VALLE 11/21/2017  
CITY ENGINEER

SWR-01



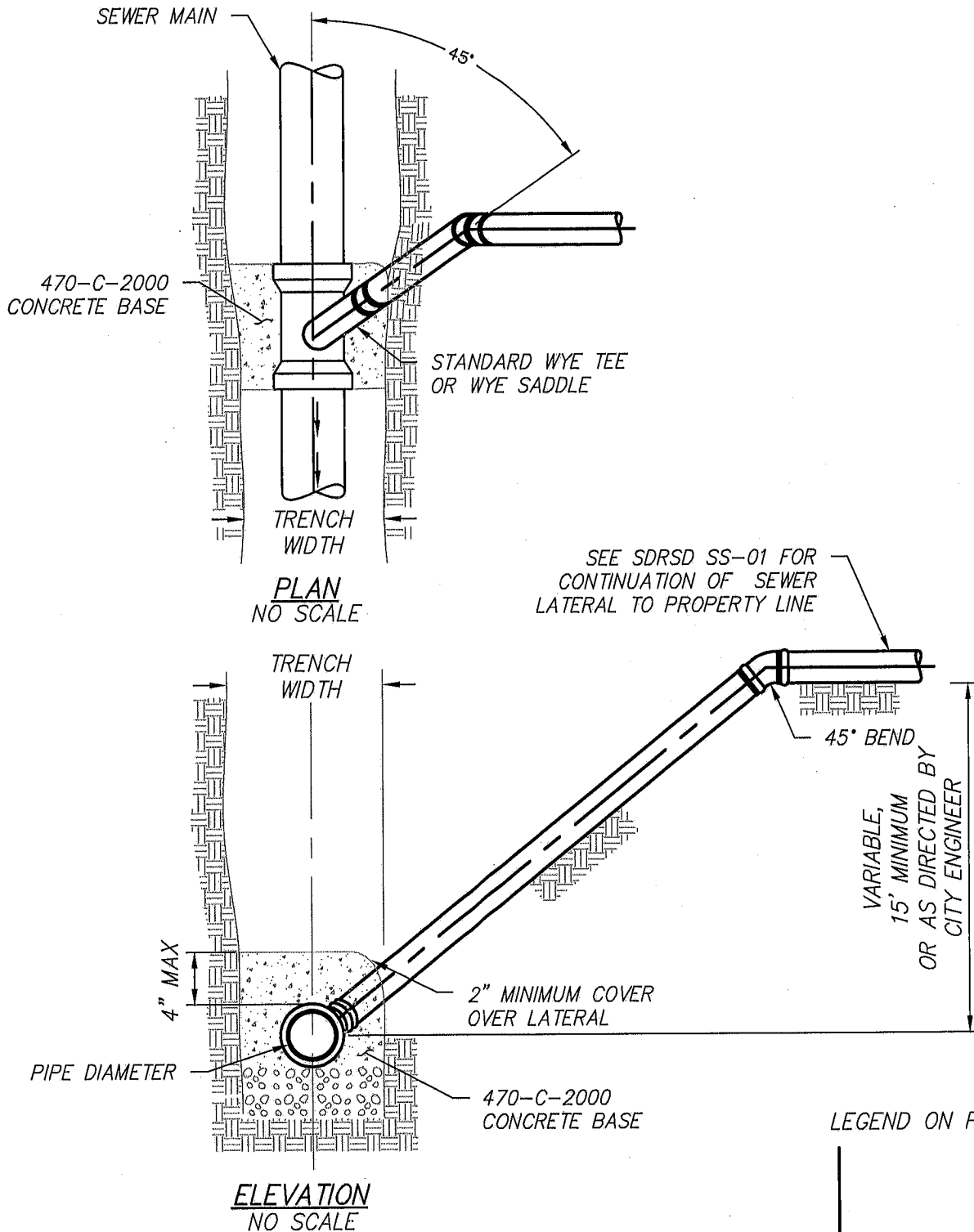
NOTE: OTHER OPTIONS AVAILABLE ON A CASE-BY-CASE BASIS.

REVISION	BY	APPROVED	DATE
ORIGINAL			2/90
REVISION	CVM	C. SWANSON	11/02
REVISION	DPH	W. VALLE	11/17

CITY OF CHULA VISTA  
ENGINEERING & CAPITAL PROJECTS  
STANDARD DRAWING

DEEP SEWER CONNECTION

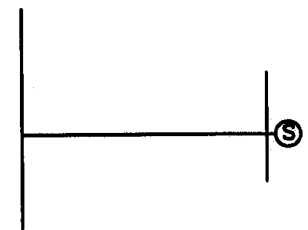
*William S. Valle*  
WILLIAM S. VALLE 11/21/2017  
CITY ENGINEER  
SWR-02



**NOTES:**

1. ALL JOINTS ON SEWER LATERAL PIPE SHALL BE COMPRESSION TYPE OR APPROVED SOLVENT WELD CONNECTION.
2. DEEP CUT HOUSE CONNECTION FOR SEWER LATERAL MAY BE USED ONLY UPON APPROVAL BY THE CITY ENGINEER.

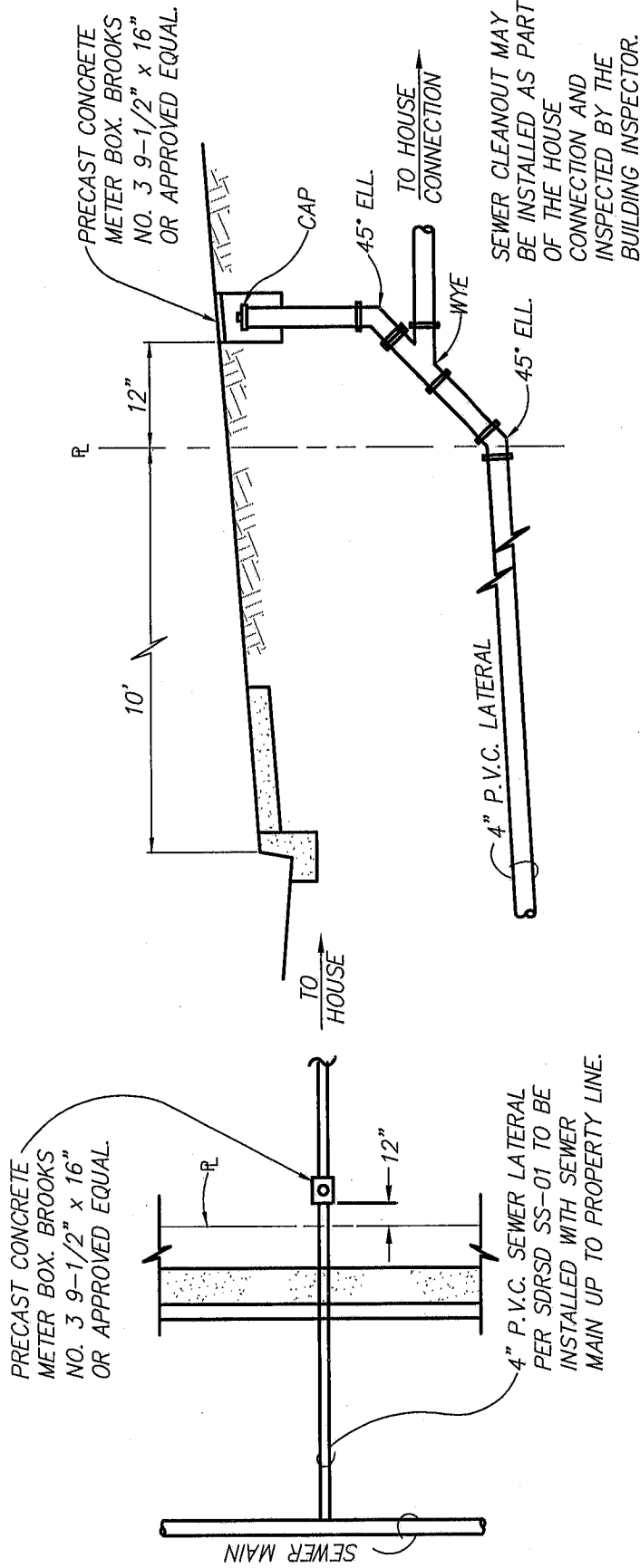
LEGEND ON PLANS



REVISION	BY	APPROVED	DATE
ORIGINAL			3/94
		C. SWANSON	11/02
REVISION	DPH	W. VALLE	11/17

CITY OF CHULA VISTA  
 ENGINEERING & CAPITAL PROJECTS  
 STANDARD DRAWING  
 DEEP CUT HOUSE CONNECTION  
 SEWER LATERAL

*William S. Valle*  
 WILLIAM S. VALLE 11/21/2017  
 CITY ENGINEER  
 SWR-03



PROFILE  
NO SCALE

PLAN VIEW  
NO SCALE

DETAIL ~ SEWER LATERAL IN LANDSCAPED AREAS

NOTES:

1. FOR DETAILS NOT SHOWN SEE SDRSD NO. SS-01 AND SS-02
2. BACKFLOW PREVENTION DEVICES AND BUILDING CLEANOUT SHALL BE LOCATED WITHIN THE BUILDING DRAIN PER UPC REQUIREMENTS.
3. STAMP "S" ON FACE OF CURB.
4. ALL LATERALS ARE PRIVATE PER COUNCIL POLICY 570-01

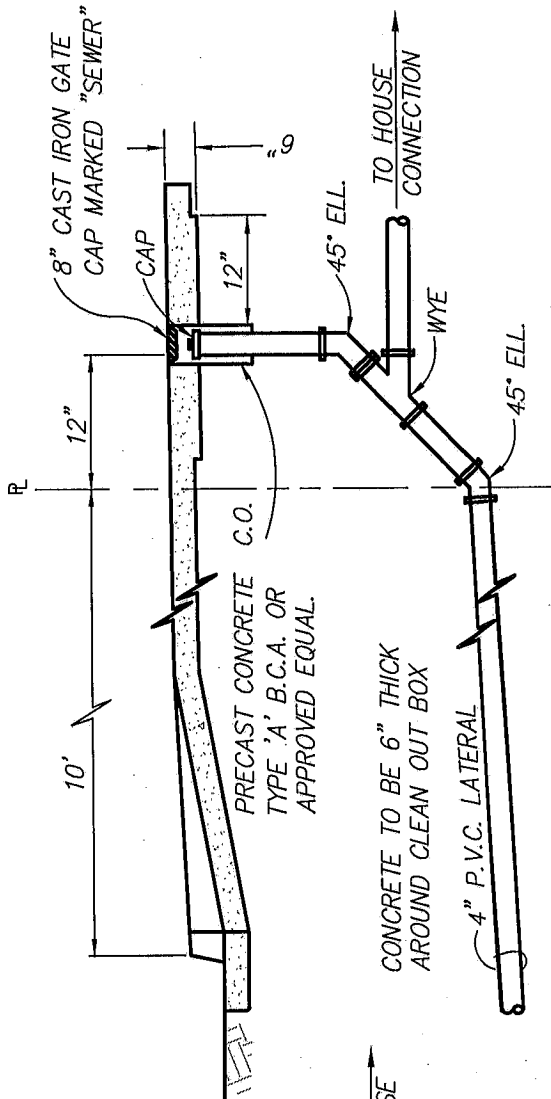
REVISION	BY	APPROVED	DATE
ORIGINAL			10/96
REVISION	CVM	C. SWANSON	11/02
REVISION	DPH	W. VALLE	11/17

CITY OF CHULA VISTA  
ENGINEERING & CAPITAL PROJECTS  
STANDARD DRAWING

SEWER LATERAL IN LANDSCAPED  
AREAS

*William S. Valle*  
WILLIAM S. VALLE 11/21/2017  
CITY ENGINEER

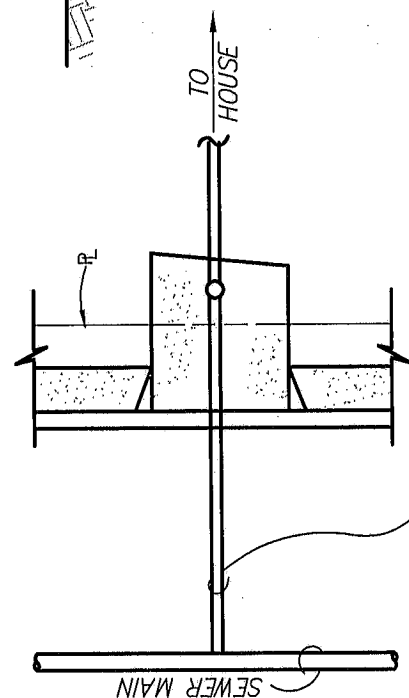
SWR-04



SEWER CLEANOUT MAY BE INSTALLED AS PART OF THE HOUSE CONNECTION AND INSPECTED BY THE BUILDING INSPECTOR.

PROFILE  
NO SCALE

FOR DETAILS NOT SHOWN SEE SDRSD SS-01 AND SS-02



4" P.V.C. SEWER LATERAL PER SDRSD SS-01 TO BE INSTALLED WITH SEWER MAIN UP TO PROPERTY LINE.

PLAN VIEW  
NO SCALE

DETAIL ~ SEWER LATERAL IN P.C.C. DRIVEWAY

NOTE: BACKFLOW PREVENTION DEVICES AND BUILDING CLEANOUT SHALL BE LOCATED WITHIN THE BUILDING DRAIN PER UPC REQUIREMENTS. STAMP "S" ON FACE OF CURB.

REVISION	BY	APPROVED	DATE
ORIGINAL			10/96
REVISION	CM	C. SWANSON	11/02
REVISION	DPH	W. VALLE	11/17

CITY OF CHULA VISTA  
ENGINEERING & CAPITAL PROJECTS  
STANDARD DRAWING

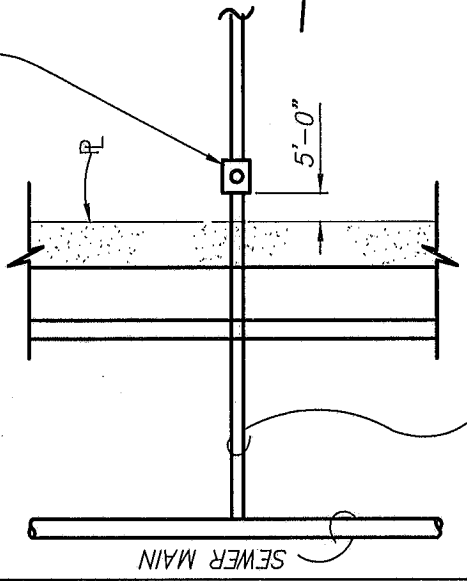
SEWER LATERAL IN PCC DRIVEWAY

*William S. Valle*  
WILLIAM S. VALLE 11/21/2017  
CITY ENGINEER

SWR-05

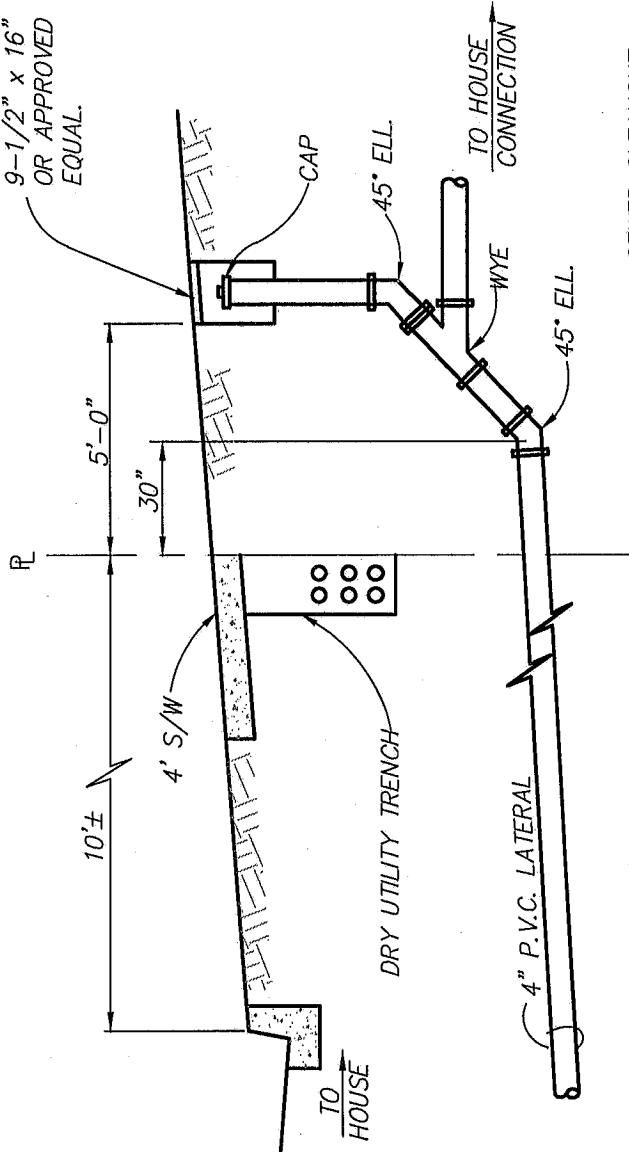
PRECAST CONCRETE METER BOX. BROOKS NO. 3 9-1/2" x 16" OR APPROVED EQUAL.

PRECAST CONCRETE METER BOX. BROOKS NO. 3 9-1/2" x 16" OR APPROVED EQUAL.



4" P.V.C. SEWER LATERAL PER SDRSD SS-01 TO BE INSTALLED WITH SEWER MAIN UP TO PROPERTY LINE.

PLAN VIEW  
NO SCALE



FOR DETAILS NOT SHOWN SEE SDRSD SS-01 AND SS-02

PROFILE  
NO SCALE

SEWER CLEANOUT MAY BE INSTALLED AS PART OF THE HOUSE CONNECTION AND INSPECTED BY THE BUILDING INSPECTOR.

DETAIL ~ SEWER LATERAL IN LANDSCAPED AREAS  
(SIDEWALK AND DRY UTILITY TRENCH AT PROPERTY LINE)

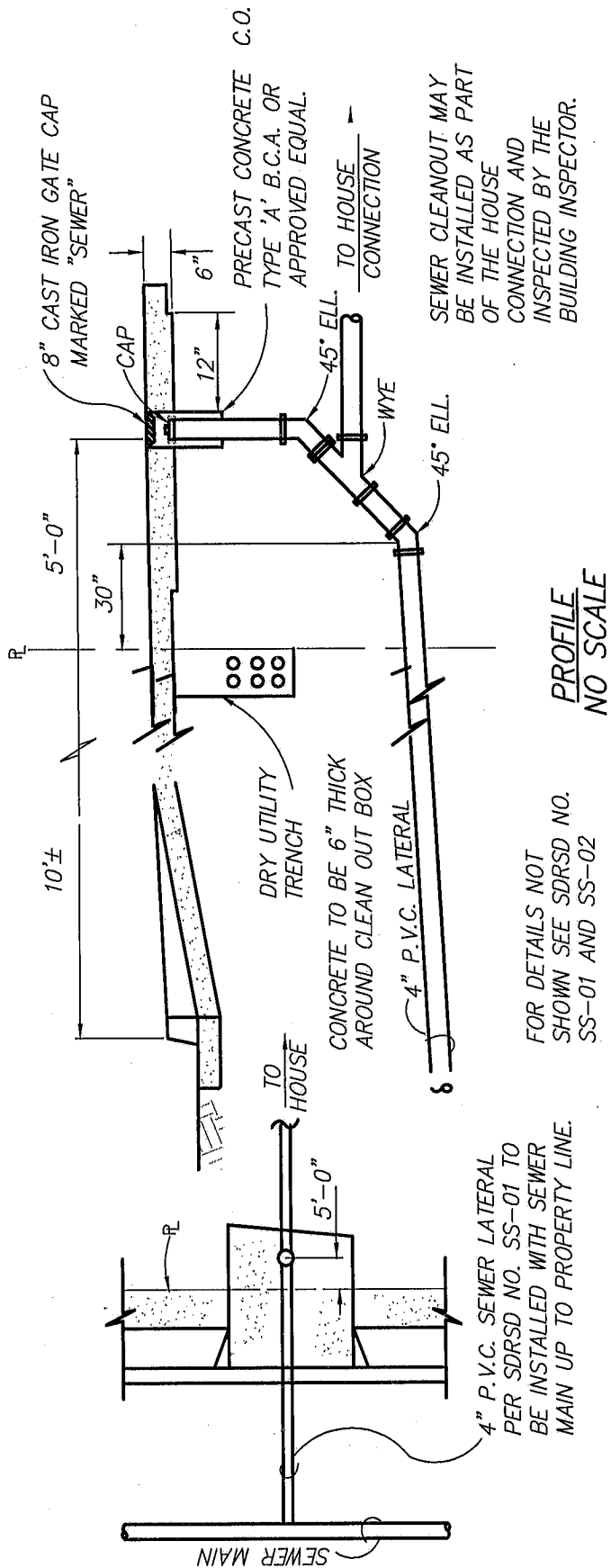
NOTE: BACKFLOW PREVENTION DEVICES AND BUILDING CLEANOUT SHALL BE LOCATED WITHIN THE BUILDING DRAIN PER UPC REQUIREMENTS OR PER CITY PLANNING AND BUILDING REQUIREMENTS STAMP "S" ON FACE OF CURB.

REVISION	BY	APPROVED	DATE
ORIGINAL			7/90
REVISION	CM	C. SWANSON	11/02
REVISION	DPH	W. VALLE	11/17

CITY OF CHULA VISTA  
ENGINEERING & CAPITAL PROJECTS  
STANDARD DRAWING  
SEWER LATERAL IN LANDSCAPE SW  
& DRY UTILITIES IN R.O.W.

*William S. Valle*  
WILLIAM S. VALLE 11/21/2017  
CITY ENGINEER  
SWR-06





**DETAIL ~ PRIVATE SEWER LATERAL IN P.C.C. DRIVEWAY  
(SIDEWALK AND DRY UTILITY TRENCH AT PROPERTY LINE)**

NOTE: BACKFLOW PREVENTION DEVICES AND BUILDING CLEANOUT SHALL BE LOCATED WITHIN THE BUILDING DRAIN PER UPC REQUIREMENTS OR PER CITY PLANNING AND BUILDING REQUIREMENTS STAMP "S" ON FACE OF CURB.

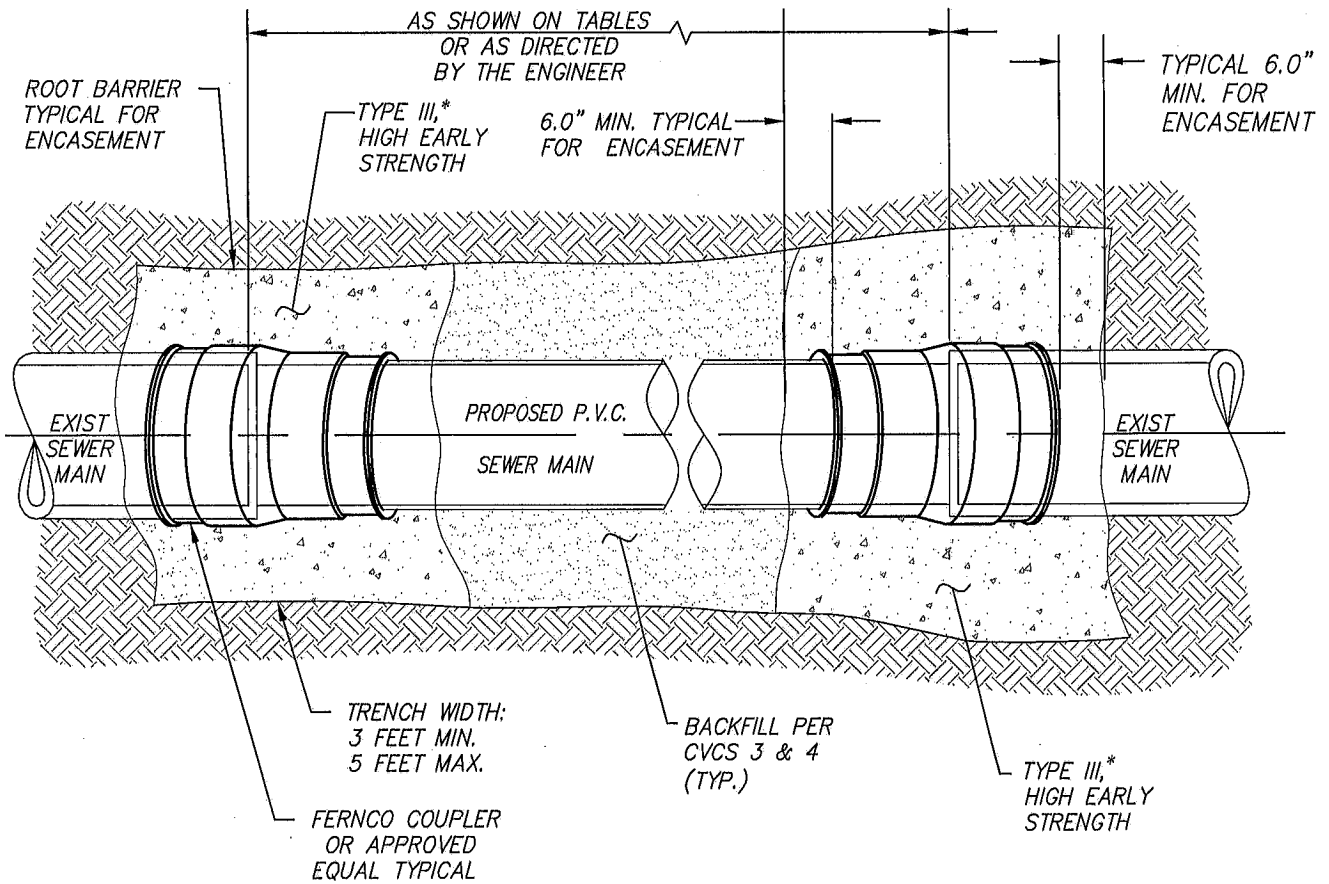
REVISION	BY	APPROVED	DATE
ORIGINAL			7/99
REVISION	CVM	C. SWANSON	11/02
REVISION	DPH	W. VALLE	11/17

CITY OF CHULA VISTA  
ENGINEERING & CAPITAL PROJECTS  
STANDARD DRAWING

SEWER LATERAL IN PCC DWY – SW  
& DRY UTILITIES IN R.O.W.

*William S. Valle*  
WILLIAM S. VALLE 11/21/2017  
CITY ENGINEER

SWR-07



\* ENCASEMENT:  
REACH MIN. STRENGTH OF  
2000 PSI WITHIN 24 HOURS.

REVISION	BY	APPROVED	DATE	CITY OF CHULA VISTA ENGINEERING & CAPITAL PROJECTS STANDARD DRAWING	 WILLIAM S. VALLE 11/21/2017 CITY ENGINEER
ORIGINAL	DPH	W. VALLE	11/17		
				SEWER MAIN REPAIR DETAILS	SWR-08