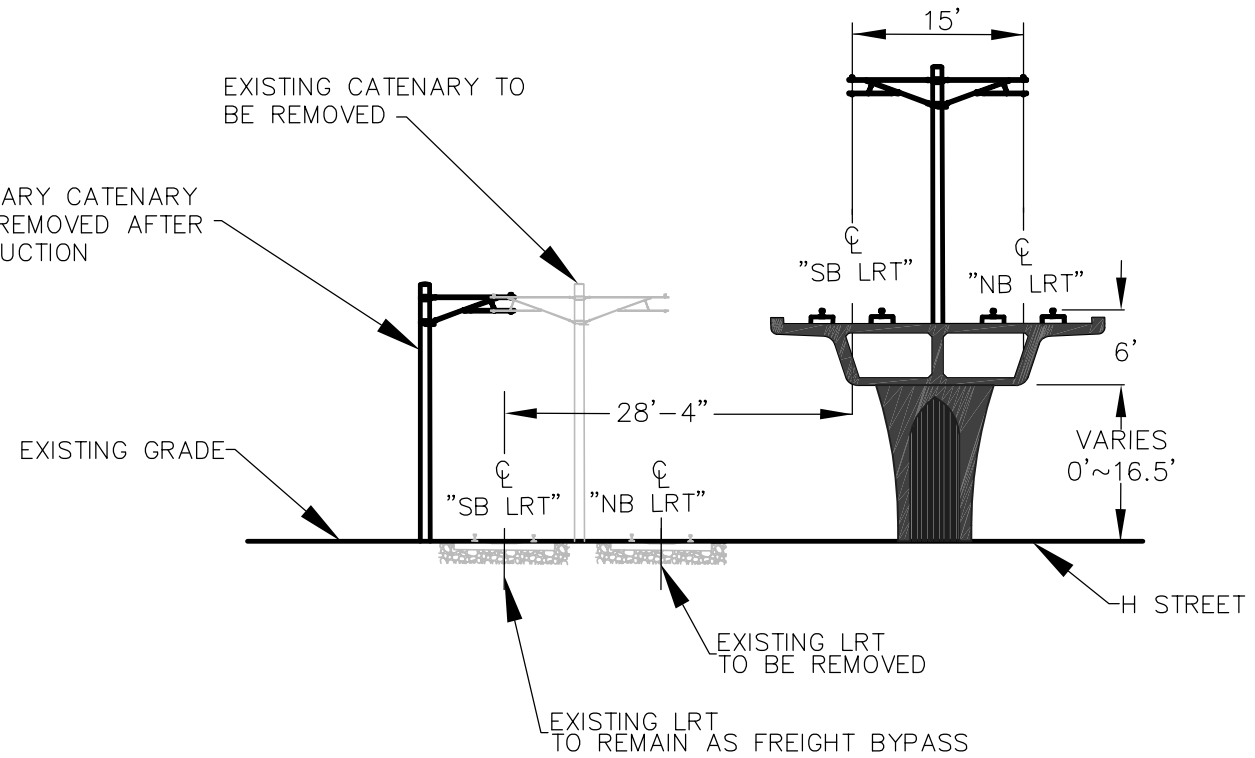


SECTION A-A



SECTION B-B

PRELIMINARY - NOT FOR CONSTRUCTION

**TYLIN INTERNATIONAL**  
 404 CAMINO DEL RIO SOUTH, SUITE 700, SAN DIEGO, CA. 92108  
 (619) 692-1920 www.tylin.com

CONSTRUCTION RECORD	REFERENCES	By	REVISIONS	Date	Approved	BENCH MARK	SCALE	Office:	Designed By:	Drawn By:	Checked By:	CITY OF CHULA VISTA, PUBLIC WORKS DEPARTMENT <b>CROSS SECTIONS - ALTERNATIVE H2</b> RAIL OVER H STREET WITH STATION OVER THE CURRENT LOCATION	Drawing No.
CONTRACTOR:							HORIZONTAL	Field:	Plans Prepared Under Supervision Of:	Date:			File No.
INSPECTOR:							VERTICAL	Traffic:		R.C.E. No.			Sheet No.
DATE COMPLETED:							as shown						

PREPARED FOR THE CITY OF CHULA VISTA